

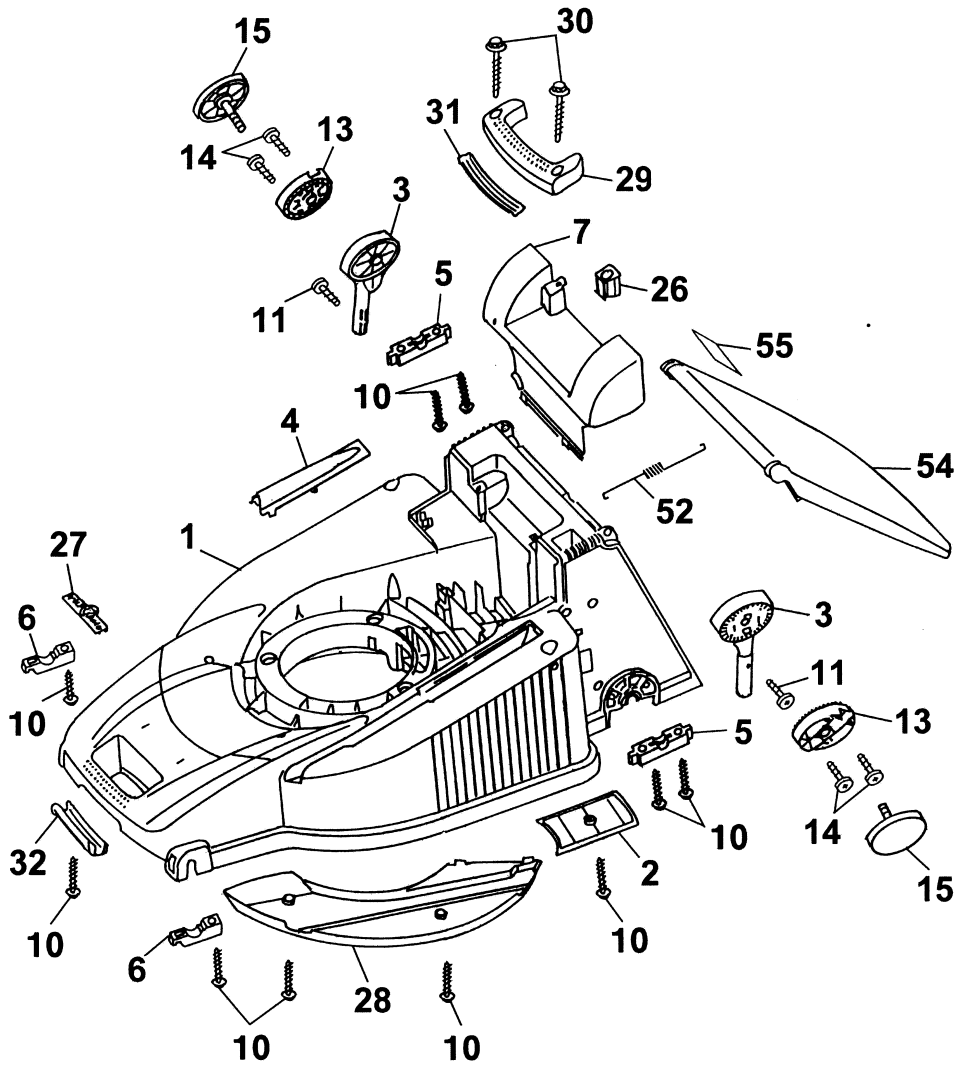
WGI 46 BA, Serie A / WGI 46 BA, Series A

Ausstattung Benzinmäher / Specification Petrol-mowers

| | |
|---|---|
| Typ / Kurzbez. / short code | WGI 46 BA |
| Ausführung für / version | International |
| Geräte - Nr. / part No. | 4615007 |
| Schnittbreite / cutting width | 46 cm |
| Chassismaterial / chassis material | Kunststoff / high quality polymer |
| Gewicht / weight | 29 kg |
| Schalleistung / sound level | 96 dB (A) |
| Ø Rad vorne / front wheel diameter | 17 cm (Kugellager / ball bearing) |
| Ø Rad hinten / rear wheel diameter | 20 cm (Kugellager / ball Bearing) |
| Höhenverstellung / height adjustment | zentral, 5-fach / central, five-fold |
| Schnitthöhe (cm) / cutting height (cm) | 2,5 - 7,2 cm |
| Antrieb ja/nein / power drive yes/no | ja, 1 Gang, 3,5 km/h / yes, 1 gear speed, 3,5 km/h |
| Motor - Hersteller / motor producer | Briggs & Stratton |
| Motor-Modell / motor-type | Quantum XM 45 |
| Spezifikation / specification | 127 802 - 1972 - B1 |
| Motor-Nr. WOLF / motor-number | 2066075 |
| Nennleistung / nominal capacity | 2,7 kW |
| Zündkerze / spark plug | Champion RJ 19 LM (Artikel-Nr. / part no.: 2058305) |
| Griffgestänge / handlebar | Klappgriff, höhenverstellbar, Holmstart / folding handlebar,height adjustable, bar start |
| Fangkorb / grass box | Art.-Nr. / part no.: 4950065 mit Füllstands- anzeige / with grass box fill indicator |
| <u>Drehmomente Chassis / torque settings, chassis fasteners:</u> | |
| Achsbefest. (Lagerschale vorne/hinten) / axle fastening (bearing shell front/rear) | 2-3 Nm |
| Radbefestigung / wheel fastening | 10 Nm |
| Führung Höhenverstellung / guide height-adjustment | 2-3 Nm |
| Windkanaleinlage - Chassis / wind tunnel insert - chassis | 2-3 Nm |
| Stehbolzen an Motor/stud bolt to motor | 16-20 Nm |
| Stehbolzen an Chassis / stud bolt to chassis | 12-14 Nm |
| Chassisabdeckung + Griff / chassis covering + handle | 2-3 Nm |
| Messerbalken an Motorwelle / cutter bar to motor shaft | 38-42 Nm |
| Keilriemenabdeckung / v-belt cover | 2-3 Nm |
| Griffhalter - Chassis / handlebar fixing - chassis | 4-5 Nm |

Ⓓ WGI 46 BA Chassis

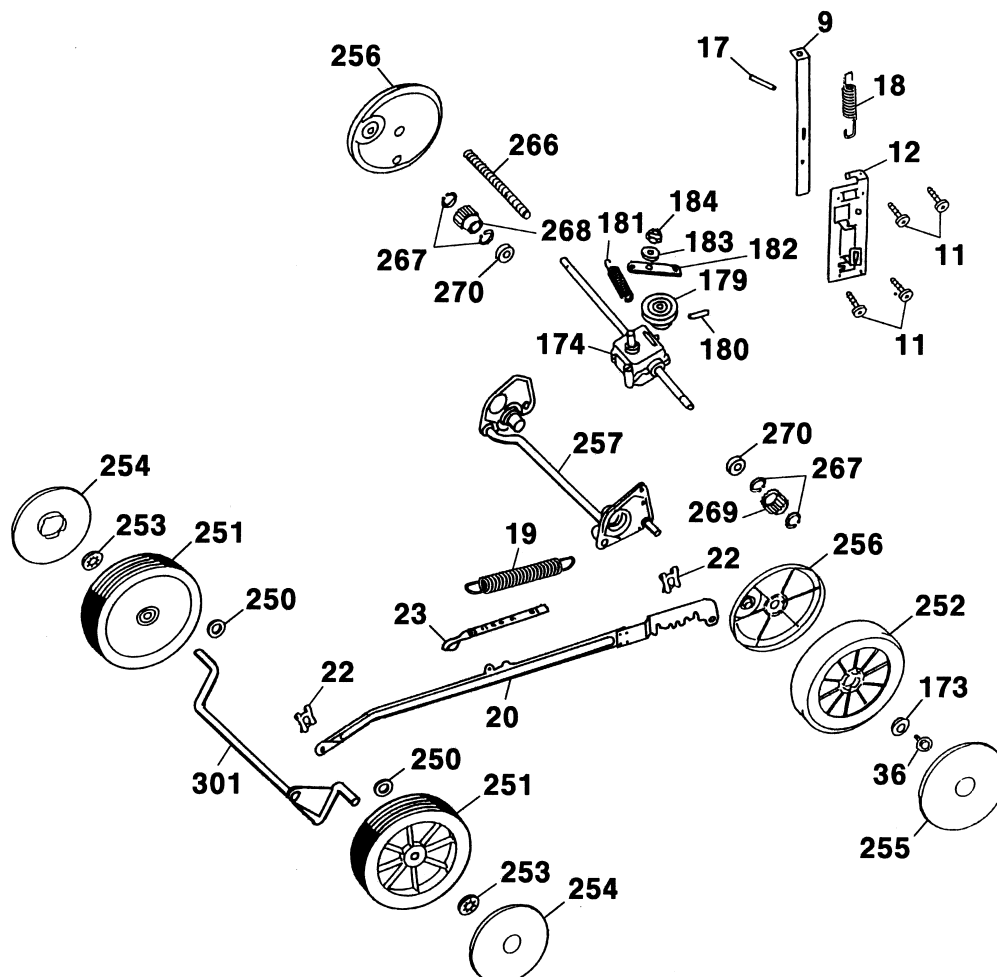
ⒼⒷ WGI 46 BA Chassis



WGI 46 BA Chassis

| Bild-Nr. / Ref. No. | Best.-Nr. / Part No. | Bezeichnung | description |
|------------------------|-------------------------|-------------------------------|--------------------------------|
| 1 | 4605 300 | Chassis | chassis |
| 2 | 4961 324 | Keilriemenabdeckung | v-belt cover |
| 3 | 4950 030 | Griffhalter (2 Stück) | handle-fixing (2 pieces) |
| 4 | 4601 315 | Hutze | cover |
| 5 | 4961 313 | Stützschale, hinten (2 Stück) | rear support shell (2 pieces) |
| 6 | 4961 312 | Stützschale, vorne (2 Stück) | front support shell (2 pieces) |
| 7 | 4601 310 | Chassisabdeckung | chassis cover |
| 10 | 0012 631 | Schraube (10 Stück) | screw (10 pieces) |
| 11 | 0010 931 | Schraube (2 Stück) | screw (2 pieces) |
| 13 | 4950 126 | Verstellring (2 Stück) | variable ring (2 pieces) |
| 14 | 0010 933 | Schraube (4 Stück) | screw (4 pieces) |
| 15 | 4950 010 | Handrad (2 Stück) | handwheel (2 pieces) |
| 26 | 4961 304 | Knopf | button |
| 27 | 0051 115 | WOLF-Garten Marke | WOLF-Garten brand |
| 28 | 4601 311 | Windkanalabdeckung | wind tunnel cover |
| 29 | 4601 303 | Tragegriff, hinten | rear carrying handle |
| 30 | 0012 639 | Schraube (2 Stück) | screw (2 pieces) |
| 31 | 4601 308 | Griffschale, hinten | rear handle spill |
| 32 | 4601 309 | Griffschale, vorne | front handle spill |
| 52 | 4961 106 | Zugfeder | tension spring |
| 54 | 4628 302 | Schutzklappe (rot) | rear flap (red) |
| 55 | 0051 224 | Sicherheitsetik./Pictogramm | safety label |

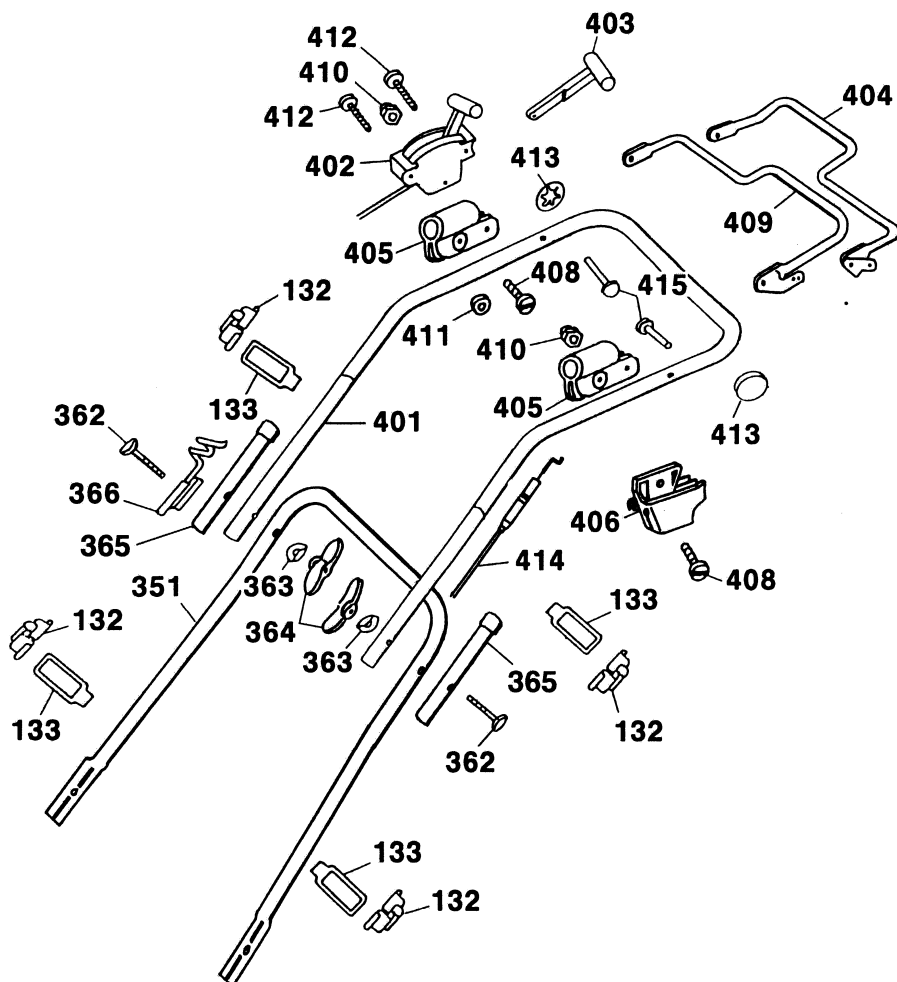
- Ⓓ WGI 46 BA Achse, Räder, Höhenverstellung
- ⒼⒷ WGI 46 BA axle, wheels, height-adjustment



WGI 46 BA Achse, Räder, Höhenverstellung
WGI 46 BA axle, wheels, height-adjustment

| Bild-Nr. / Ref. No. | Best.-Nr. / Part No. | Bezeichnung | description |
|------------------------|-------------------------|-------------------------------|----------------------------------|
| 9 | 4961 512 | Rasthebel | lock lever |
| 11 | 0010 931 | Schraube (4 Stück) | screw (4 pieces) |
| 12 | 4001 110 | Führung | guiding |
| 17 | 0018 878 | Spannstift | dowel pin |
| 18 | 4961 514 | Zugfeder | tension spring |
| 19 | 4961 107 | Zugfeder Verbindungsstange | tension spring connecting rod |
| 20 | 4601 020 | Verbindungsstange | connecting rod |
| 22 | 0020 981 | SL-Sicherung | retaining clip |
| 23 | 4601 306 | Höhenanzeiger | height-position indicator |
| 36 | 0010 893 | SF-Schraube (2 Stück) | screw (2 pieces) |
| 174 | 1097 000 | Getriebe | gear |
| 179 | 1097 201 | Keilriemenscheibe | v-belt pulley |
| 180 | 1097 202 | Spannstift | dowel pin |
| 181 | 1097 205 | Feder | spring |
| 182 | 1097 200 | Getriebehebel | gear lever |
| 183 | 0017 120 | Scheibe | washer |
| 184 | 0016 310 | 6-kt. Mutter | hexagon nut |
| 250 | 0017 112 | Scheibe (2 Stück) | washer (2 pieces) |
| 251 | 6440 050 | Rad 170 mm Ø (2 Stück) | wheel 170 mm dia. (2 pieces) |
| 252 | 4605 050 | Antriebsrad 200 mm Ø (2 St.) | drive wheel 200 mm dia. (2 p.) |
| *** | 6340 516 | Kugellager, Stahl (2 St./Rad) | ball bearing, steel (2 p./wheel) |
| 253 | 0020 700 | Schnellbefestiger (2 Stück) | quick-fixing device (2 pieces) |
| 254 | 6450 520 | Radkappe 170 mm Ø (2 St.) | hub cap 170 mm dia. (2 piec.) |
| 255 | 6450 530 | Radkappe 200 mm Ø (2 St.) | hub cap 200 mm dia. (2 piec.) |
| 256 | 4955 327 | Deckel (2 Stück) | wheel cap (2 pieces) |
| 257 | 4005 031 | Achsrrohr, hinten | axle tube, rear |
| *** | 4005 030 | Antriebsachse kpl. mit Rädern | driving axle compl. w. wheels |
| 266 | 4605 328 | Schutzrohr | protecting tube |
| 267 | 0020 010 | Sicherungsring (4 Stück) | circlip (4 pieces) |
| 268 | 4725 025 | Kupplungsritzel, rechts | pinion, right |
| 269 | 4725 026 | Kupplungsritzel, links | pinion, left |
| 270 | 0023 147 | Kugellager (2 Stück) | ball bearing (2 pieces) |
| 271 | 0017 289 | Scheibe | washer |
| 301 | 4961 011 | Achse, vorne | axle, front |

- Ⓓ **WGI 46 BA Griff kpl.**
- ⒼⒷ **WGI 46 BA handlebar compl.**



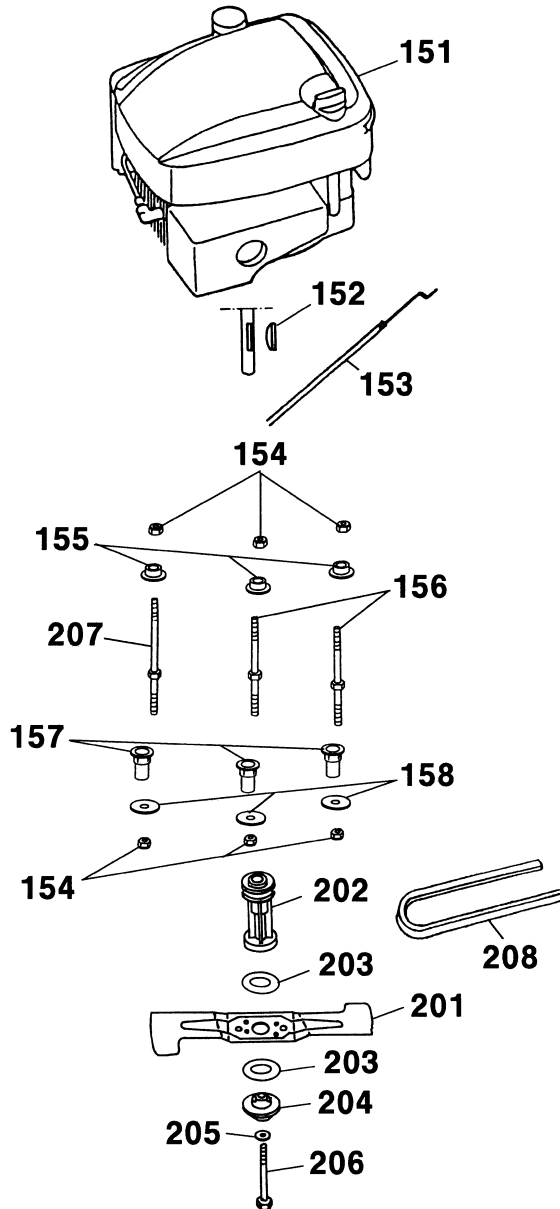
WGI 46 BA Griff kpl.

WGI 46 BA handlebar compl.

| Bild-Nr. / Ref. No. | Best.-Nr. / Part No. | Bezeichnung | description |
|--------------------------------|---------------------------------|------------------------------|-----------------------------|
| 132 | 6340 312 | Klammer (4 St¼ck) | clamp (4 pieces) |
| 133 | 6340 314 | Schlaufe (4 St¼ck) | strap (4 pieces) |
| 351 | 4628 120 | Griffunterteil | lower handlebar |
| 362 | 4901 101 | Verbindungsschraube (2 St.) | binding screw (2 pieces) |
| 363 | 0017 275 | Hohlscheibe (2 St¼ck) | hollow disk (2 pieces) |
| 364 | 0016 718 | Fl¼gelmutter (2 St¼ck) | wing nut (2 pieces) |
| 365 | 6340 125 | Verschlusskappe (2 St¼ck) | sleeve (2 pieces) |
| 366 | 6340 014 | Seilf¼hrung | routing |
| 401 | 4615 021 | Griffoberteil | upper handlebar |
| 402 | 4611 055 | Schaltgeh. m. Bowdenz., Gas | case with bowden wire, gas |
| *** | 6450 325 | SchaltgehÄuse , rechts | case, right |
| *** | 6450 326 | SchaltgehÄuse, links | case, left |
| 403 | 4011 040 | Verstellhebel | adjusting lever |
| 404 | 4015 013 | Bremshebel | brake lever |
| 405 | 4720 105 | Schelle (2 St¼ck) | clamp (2 pieces) |
| 406 | 4015 306 | Doppelst¼tze | double support |
| 408 | 0012 211 | Zylinderschraube (2 St¼ck) | screw (2 pieces) |
| 409 | 4015 035 | Kupplungshebel | coupling lever |
| 410 | 0016 641 | Hutmutter (2 St¼ck) | nut (2 pieces) |
| 411 | 4240 205 | Distanzscheibe | distance washer |
| 412 | 0012 886 | PT-Schraube (4 St¼ck) | screw (4 pieces) |
| 413 | 3585 503 | Hutclips (2 St¼ck) | retainer (2 pieces) |
| 414 | 4005 055 | Bowdenzug, Antrieb | bowden wire, drive |
| 415 | 0018 107 | Bolzen (2 St¼ck) | bolt (2 pieces) |
| *** | 0054 228 | Gebrauchsanweisung | instruction manual |
| *** | 4615 027 | Polybeutel mit Gebrauchsanw. | poly bag with instr. manual |

Ⓓ **WGI 46 BA Motor, Messer**

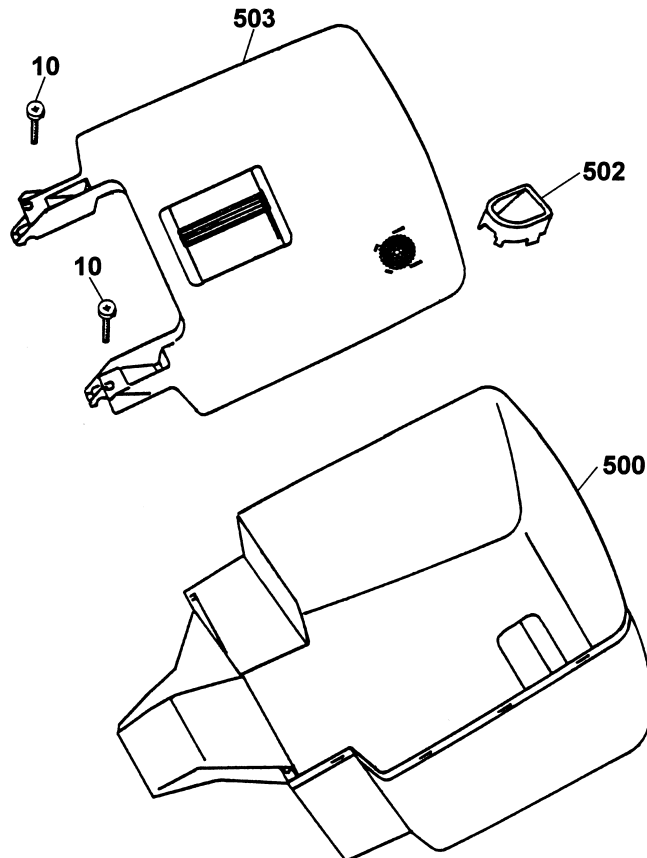
ⒼⒷ **WGI 46 BA motor, blade**



WGI 46 BA Motor, Messer
WGI 46 BA motor, blade

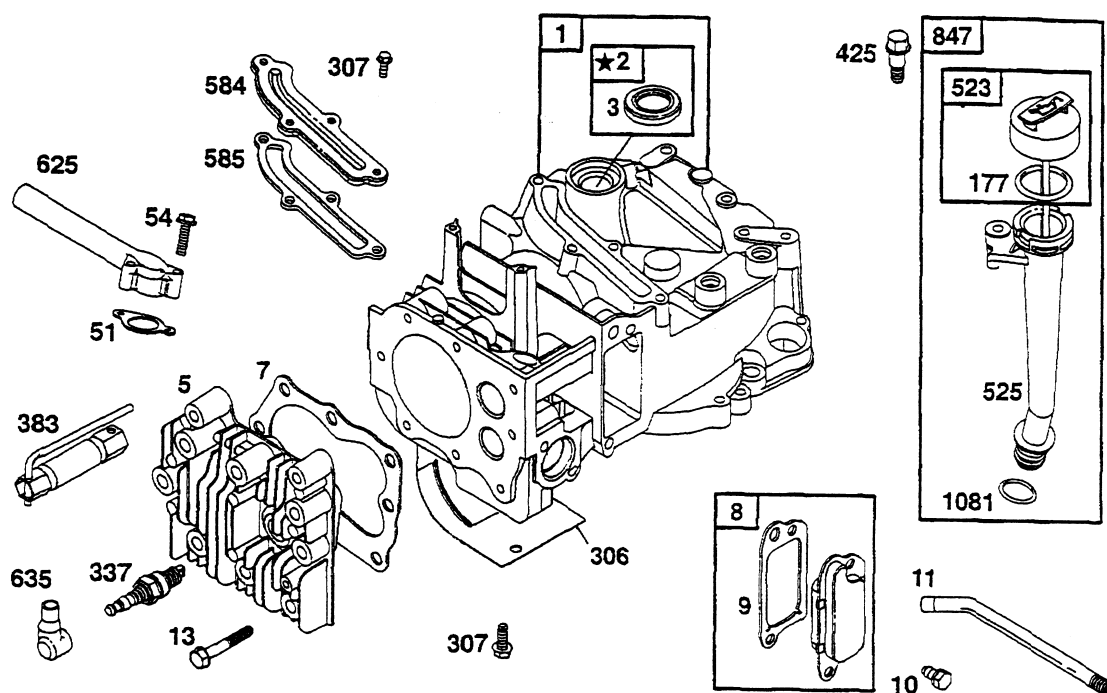
| Bild-Nr. / Ref. No. | Best.-Nr. / Part No. | Bezeichnung | description |
|--------------------------------|---------------------------------|----------------------------|-----------------------------|
| 151 | 2066 075 | Motor XM 45 | motor XM 45 |
| 152 | 0029 130 | Scheibenfeder | woodruff key |
| 153 | 4005 058 | Bowdenzug, Bremse | bowden wire, brake |
| 154 | 0016 312 | 6-kt. Mutter (6 St¼ck) | nut (6 pieces) |
| 155 | 4001 172 | Motorbuchse (3 St¼ck) | motor bush (3 pieces) |
| 156 | 4001 170 | Stehbolzen, kurz (2 St¼ck) | stud bolt, short (2 pieces) |
| 157 | 4601 312 | Distanzh¼lse (3 St¼ck) | distance bush (3 pieces) |
| 158 | 0017 111 | Scheibe (3 St¼ck) | washer (3 pieces) |
| 201 | 4601 095 | Messer VI 46 | blade VI 46 |
| 202 | 4605 402 | Antriebsscheibe | coupling |
| 203 | 6450 403 | Kupplungsbelag (2 St¼ck) | clutch facing (2 pieces) |
| 204 | 4840 402 | Kupplungsscheibe | coupling disc |
| 205 | 0017 105 | Spannscheibe | strain washer |
| 206 | 0010 264 | 6-kt. Schraube | hexagon screw |
| 207 | 4001 171 | Stehbolzen, lang | stud bolt, big |
| 208 | 0039 218 | Keilriemen | v-belt |

- (D) Fangkorb komplett 4950 065**
(GB) grass box complete 4950 065



| Bild-Nr. / Ref. No. | Best.-Nr. / Part No. | Bezeichnung | description |
|------------------------|-------------------------|--------------------|--------------------------|
| 10 | 0012 631 | Schraube (2 Stück) | screw (2 pieces) |
| 500 | 4961 311 | Fangkorbunterteil | grass box under part |
| 501 | 4936 061 | Füllstandsanzeige | grass box fill indicator |
| 503 | 4961 061 | Fangkorboberteil | grass box upper part |

XM 45 KurbelgehÄuse
XM 45 cylinder assembly



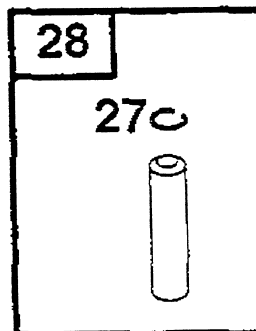
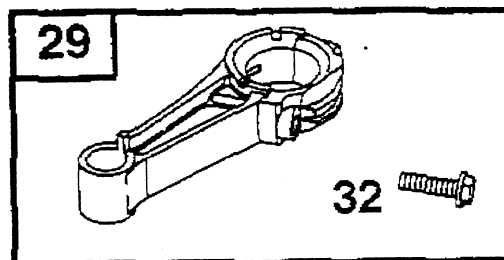
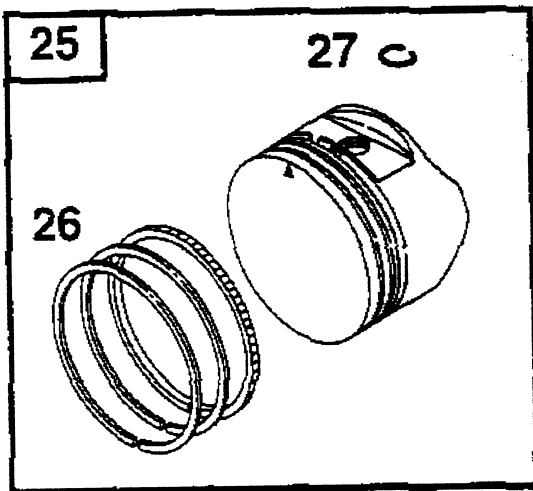
1019 LABEL KIT

★ REQUIRES SPECIAL TOOLS TO INSTALL. SEE REPAIR INSTRUCTION MANUAL.

XM 45 KurbelgehÄuse
XM 45 cylinder assembly

| Bild-Nr. / Ref. No. | Best.-Nr. / Part No. | Bezeichnung | description | Part No. B & S |
|--------------------------------|---------------------------------|----------------------|----------------------|-------------------------------|
| 1 | 2058 100 | Zylinder | cylinder assembly | 493260 |
| 3 | 2057 352 | Dichtring | seal-oil | 299819 |
| 5 | 2069 150 | Zylinderkopf | head-cylinder | 214349 |
| 7 | 2069 310 | Zylinderkopfdichtung | gasket-cylinder head | 272916 |
| 8 | 2059 300 | EntlÄfterventil | breather assembly | 495786 |
| 9 | 2058 301 | Dichtung/EntlÄfter | gasket-breather | 272481 |
| 10 | 2058 302 | Schraube | screw | 94650 |
| 11 | 2063 310 | Leitung | tube-breather | 231685 |
| 13 | 2063 108 | Schraube | screw | 94547 |
| 51 | 2063 207 | Dichtung | gasket | 272199 |
| 54 | 2063 208 | Schraube | screw | 94526 |
| 177 | 2063 211 | O - Ring | o-ring seal | 280393 |
| 306 | 2063 119 | Leitblech | shield-cylinder | 224324 |
| 307 | 2063 120 | Schraube | screw | 94515 |
| 337 | 2085 305 | ZÄndkerze | plug-spark | 802592 |
| 383 | 2069 013 | ZÄndkerzenschlÄssel | wrench-spark-plug | 89838 |
| 425 | 2063 118 | Schraube | screw | 94511 |
| 523 | 2059 206 | ÖlmeÄstab | dipstick | 495264 |
| 525 | 2059 210 | ÖleinfÄllstab | tube-dipstick | 495265 |
| 584 | 2063 122 | EntlÄfter | breather | 224328 |
| 585 | 2063 209 | Dichtung/EntlÄfter | gasket-breather | 272238 |
| 625 | 2069 168 | Ansaugrohr | manifold-intake | 497465 |
| 635 | 1034 435 | ZÄndkerzenstecker | boot-spark plug | 66538 |
| 847 | 2059 058 | ÖleinfÄllrohr | tube-dipstick | 495263 |
| 1081 | 2063 216 | O - Ring | o-ring seal | 280966 |

XM 45 Kolben
XM 45 piston assembly

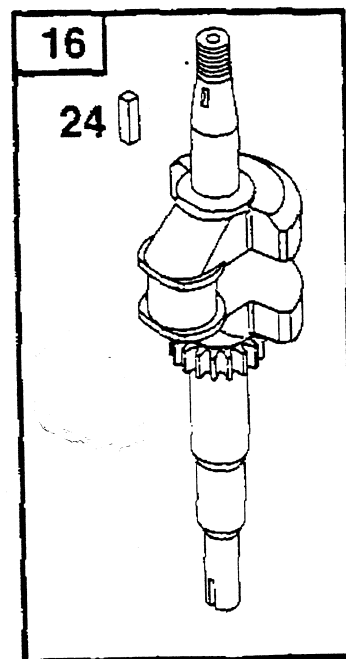
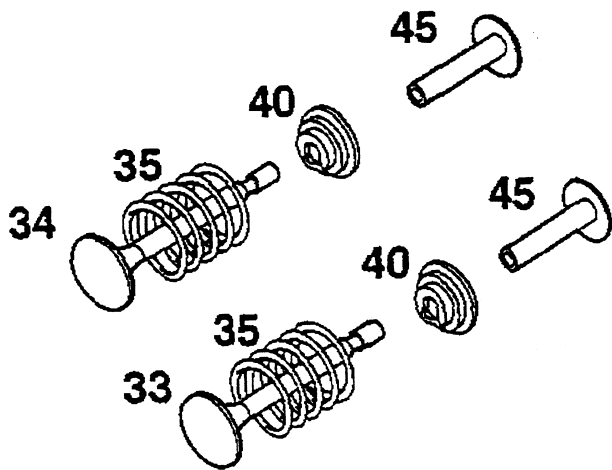


XM 45 Kolben

XM 45 piston assembly

| Bild-Nr. / Ref. No. | Best.-Nr. / Part No. | Bezeichnung | description | Part No. B & S |
|--------------------------------|---------------------------------|--------------------|--------------------|-------------------------------|
| 25 | 2069 032 | Kolben | piston assembly | 499429 |
| 26 | 2069 031 | Kolbenringsatz | ring-set | 499425 |
| 27 | 2057 164 | Sicherung | lock-piston | 263190 |
| 28 | 2057 195 | Kolbenbolzen | pin-piston | 499423 |
| 29 | 2057 196 | Pleuel | rod-connecting | 499424 |
| 32 | 2059 115 | Schraube | screw | 94699 |

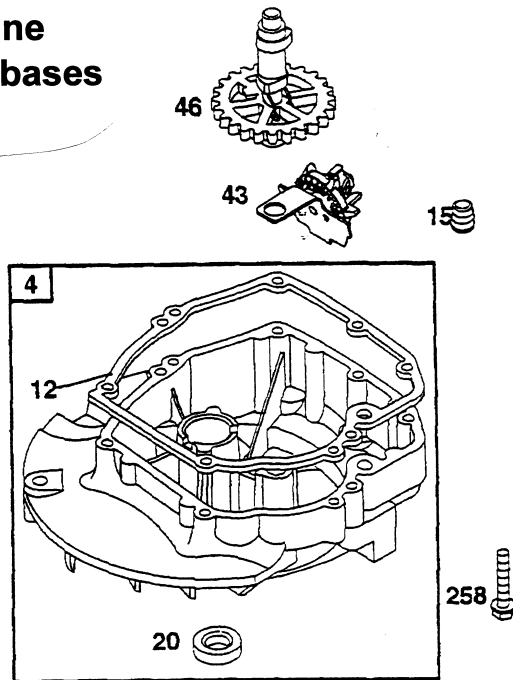
XM 45 Kurbelwelle
XM 45 crankshaft



XM 45 Kurbelwelle
XM 45 crankshaft

| Bild-Nr. / Ref. No. | Best.-Nr. / Part No. | Bezeichnung | description | Part No. B & S |
|--------------------------------|---------------------------------|--------------------|--------------------|-------------------------------|
| 16 | 2069 173 | Kurbelwelle | crankshaft | 498569 |
| 24 | 2057 130 | Schwungradkeil | key-fleywheel | 222698 |
| 33 | 2063 201 | Ventilauslaß | valve-exhaust | 262651 |
| 34 | 2063 202 | Ventileinlaß | valve-intake | 262652 |
| 35 | 2063 203 | Feder-Ventil | spring-valve | 262224 |
| 40 | 1034 217 | Ventilteller | retainer-valve | 93312 |
| 45 | 2063 204 | Ventilstößel | tappet-valve | 262204 |

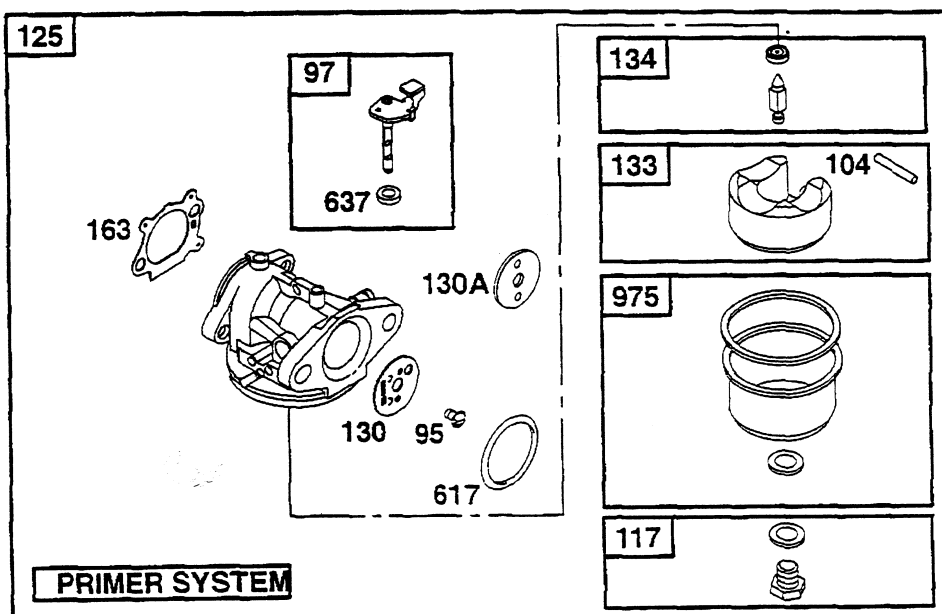
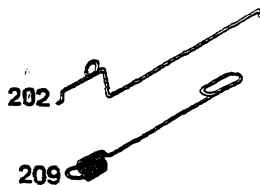
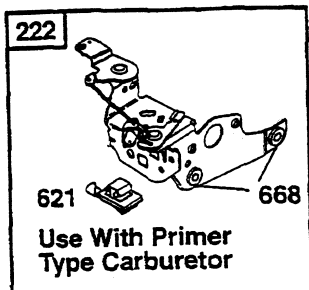
XM 45 Ölwanne
XM 45 sump bases



XM 45 Ölwanne
XM 45 sump bases

| Bild-Nr. / Ref. No. | Best.-Nr. / Part No. | Bezeichnung | description | Part No. B & S |
|--------------------------------|---------------------------------|--------------------|----------------------|-------------------------------|
| 4 | 2058 202 | Ölwanne | sump-engine | 493279 |
| 12 | 2063 107 | Dichtung | gasket-crankcase | 272198 |
| 15 | 2069 143 | Ölablaßschraube | plug-oil drain | 94880 |
| 20 | 2063 112 | Simmerring | seal-oil | 399781 |
| 43 | 2063 206 | Regler | slinger-governor/oil | 493737 |
| 46 | 2069 172 | Nockenwelle | camshaft | 498275 |
| 258 | 2058 203 | Schraube | screw | 94220 |

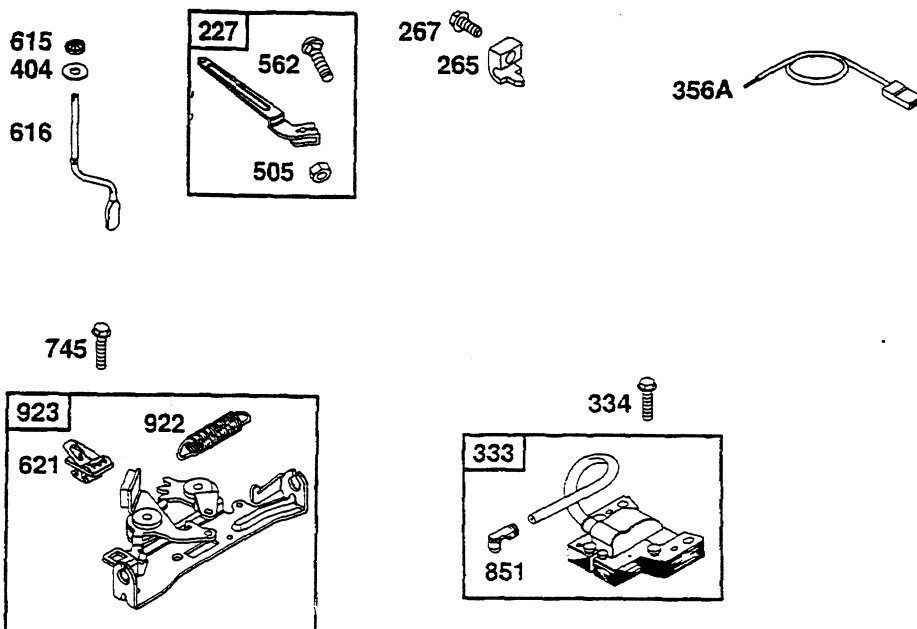
XM 45 Vergaser
XM 45 carburetor



XM 45 Vergaser
XM 45 carburetor

| Bild-Nr. / Ref. No. | Best.-Nr. / Part No. | Bezeichnung | description | Part No. B & S |
|------------------------|-------------------------|----------------|-------------------|-------------------|
| 53 | 2063 402 | Schraube | screw | 94525 |
| 94 | 2058 403 | Nadelventil | kit-idle mixture | 493765 |
| 95 | 2057 128 | Schraube | screw | 94098 |
| 97 | 2063 403 | Gest nge | link-governor | 493267 |
| 98 | 2069 165 | Schraube | screw | 398185 |
| 104 | 2057 120 | Stift | pin-float hinge | 231371 |
| 117 | 2057 180 | Hauptd se | jet-main | 494870 |
| 125 | 2069 025 | Vergaser kpl. | carburetor compl. | 498170 |
| 130 | 2057 123 | Klappe | valve-throttle | 224908 |
| 133 | 2003 410 | Schwimmer | float-carburetor | 398187 |
| 134 | 2003 411 | Ventilnadel | kit-needle/seat | 398188 |
| 137 | 2058 409 | Schwimmerkappe | gasket-float bowl | 493640 |
| 163 | 2059 220 | Dichtung | gasket | 272653 |
| 202 | 2063 311 | Gest nge | link-governor | 262579 |
| 209 | 2069 157 | Reglerfeder | spring governor | 263046 |
| 222 | 2069 020 | Reglerplatte | bracket-control | 497203 |
| 231 | 2058 405 | Schraube | screw | 94644 |
| 617 | 1034 428 | Dichtung | gasket | 270344 |

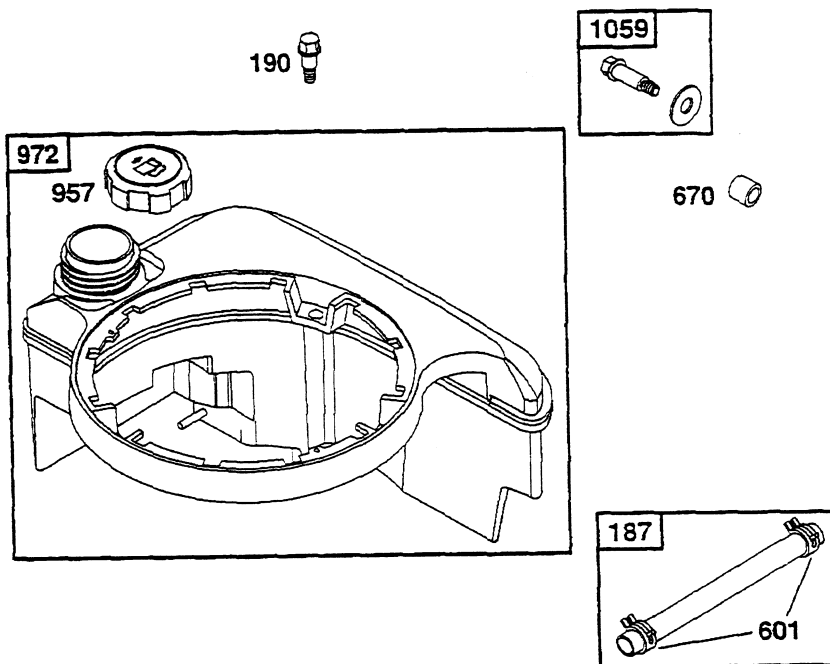
XM 45 Regelung, Zündanlage
XM 45 controls, electrical



XM 45 Regelung, Z  ndanlage
XM 45 controls, electrical

| Bild-Nr. / Ref. No. | Best.-Nr. / Part No. | Bezeichnung | description | Part No. B & S |
|------------------------|-------------------------|---------------|---------------------|-------------------|
| 227 | 2063 054 | Reglerhebel | lever-governor | 492349 |
| 265 | 2063 312 | Schelle | clamp-casing | 213146 |
| 267 | 2059 304 | Schraube | screw | 94694 |
| 333 | 2063 056 | Z  ndspule | armature-magneto | 802574 |
| 334 | 2059 306 | Schraube | screw | 94731 |
| 356A | 2057 183 | Kabel | wire-stop | 497833 |
| 404 | 2063 116 | Scheibe | washer | 67072 |
| 423 | 2057 102 | Schraube | screw | 93758 |
| 505 | 2063 123 | Mutter | nut | 231082 |
| 562 | 2057 134 | Schraube | screw | 94907 |
| 615 | 2058 102 | Halter | retainer-governor | 94474 |
| 616 | 2057 163 | Kurbel | crank-governor | 263175 |
| 621 | 2063 129 | Kurzschaltung | switch-stop | 396847 |
| 745 | 2063 117 | Schraube | screw | 94512 |
| 851 | 2057 179 | Kabelklemme | terminal-spark plug | 493880 |
| 922 | 2063 307 | Feder | spring-brake | 262640 |
| 923 | 2063 130 | Bremse | brake | 493442 |

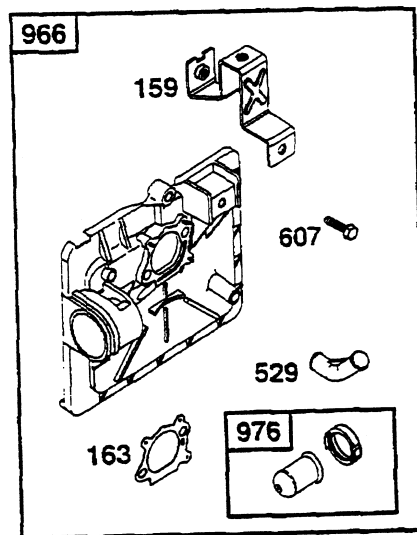
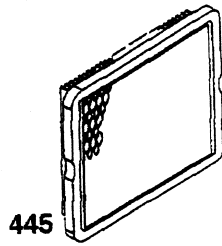
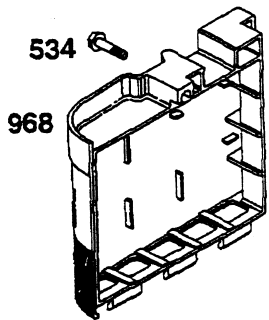
XM 45 Kraftstoffbehälter
XM 45 fuel tank



XM 45 KraftstoffbehÄlter
XM 45 fuel tank

| Bild-Nr. / Ref. No. | Best.-Nr. / Part No. | Bezeichnung | description | Part No. B & S |
|--------------------------------|---------------------------------|--------------------|--------------------|-------------------------------|
| 187 | 2058 058 | Schlauch | line-fuel | 492790 |
| 190 | 2063 118 | Schraube | screw | 94511 |
| 601 | 1036 517 | Klammer | clamp-hose | 93053 |
| 670 | 2057 166 | Distanzst¼ck | spacer-fuel tank | 280512 |
| 957 | 2069 308 | Tankdeckel | cap-fuel tank | 397974 |
| 972 | 2059 510 | Tank | tank-fuel | 495224 |
| 1059 | 2057 143 | Schraube | screw | 398540 |

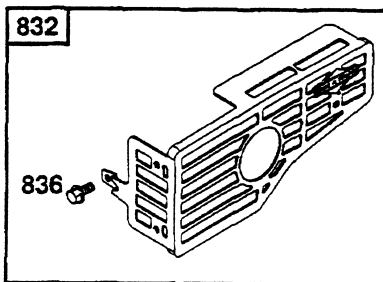
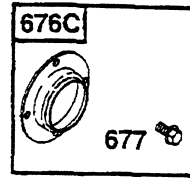
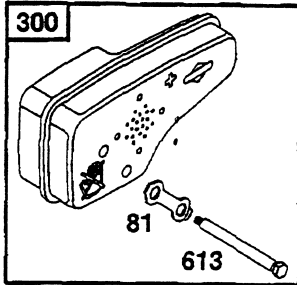
XM 45 Luftfilter
XM 45 air cleaner



XM 45 Luftfilter
XM 45 air cleaner

| Bild-Nr. / Ref. No. | Best.-Nr. / Part No. | Bezeichnung | description | Part No. B & S |
|--------------------------------|---------------------------------|--------------------|---------------------|-------------------------------|
| 159 | 2059 404 | Halter | bracket-air cleaner | 224815 |
| 163 | 2059 220 | Dichtung | gasket-air cleaner | 272653 |
| 423 | 2069 142 | Schraube | screw | 94873 |
| 445 | 2063 408 | Luftfilter | filter-air cleaner | 491588 |
| 529 | 2059 221 | Gummitlle | grommet | 281299 |
| 534 | 2069 141 | Schraube | screw | 94872 |
| 607 | 2059 303 | Schraube | screw | 94749 |
| 966 | 2059 405 | Grundplatte | base-air cleaner | 496116 |
| 968 | 2059 406 | Deckel | cover-air cleaner | 281340 |
| 976 | 2057 181 | Primer | primer-carburetor | 496115 |

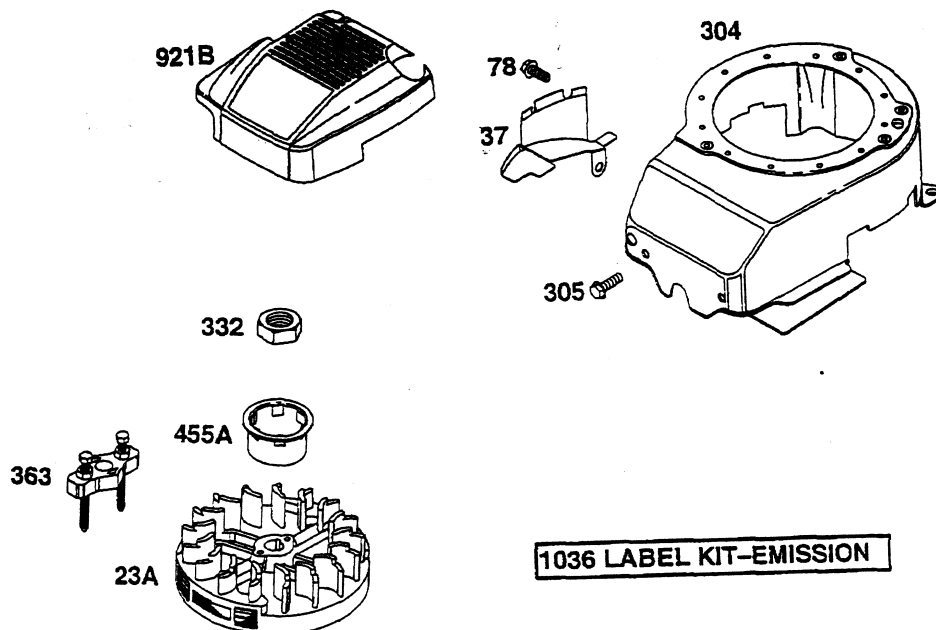
XM 45 SchalldÄmpfer
XM 45 muffler



XM 45 SchalldÄmpfer
XM 45 muffler

| Bild-Nr. / Ref. No. | Best.-Nr. / Part No. | Bezeichnung | description | Part No. B & S |
|--------------------------------|---------------------------------|-------------------------|-----------------------|-------------------------------|
| 81 | 2063 501 | Sicherung | lock - muffler screw | 223664 |
| 300 | 2069 019 | SchalldÄmpfer | muffler | 496106 |
| 613 | 2063 124 | Schraube | screw | 94231 |
| 676C | 2069 170 | Deflektor | deflector | 497682 |
| 677 | 2069 134 | Schraube - Deflektor | screw - deflector | 93705 |
| 832 | 2069 176 | BerÄhrungsschutz | guard - muffler | 499034 |
| 836 | 2057 108 | Schraube - BerÄhrungss. | screw - muffler guard | 94874 |
| 883 | 2059 501 | SchalldÄmpferdichtung | gasket - exhaust | 272253 |

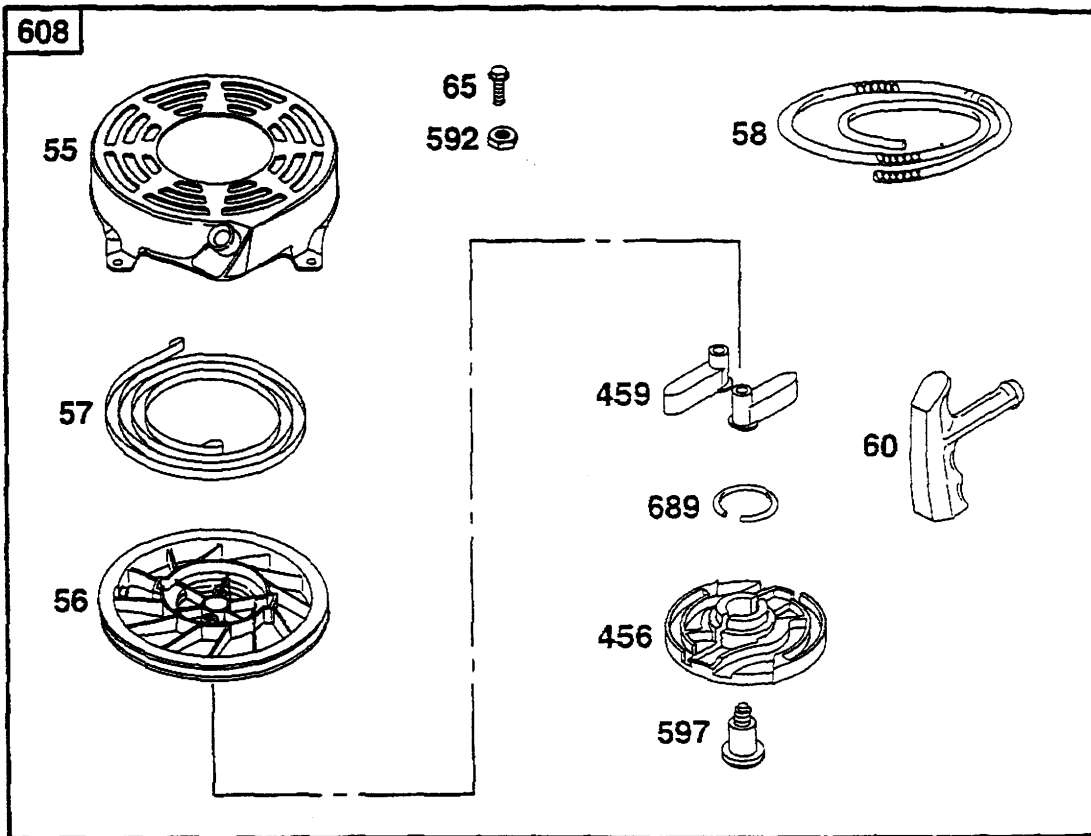
XM 45 Polrad, Lüftergehäuse, Abdeckung
XM 45 flywheel, blower housing, covering



XM 45 Polrad, Lftergehuse, Abdeckung
XM 45 flywheel, blower housing, covering

| Bild-Nr. / Ref. No. | Best.-Nr. / Part No. | Bezeichnung | description | Part No. B & S |
|------------------------|-------------------------|--------------------------|----------------------|-------------------|
| 23A | 2063 114 | Schwungrad | flywheel | 492177 |
| 37 | 2058 306 | Schutzblech Schwungr. | guard-flywheel | 224511 |
| 78 | 2057 106 | Schraube | screw | 94744 |
| 304 | 2069 311 | Lftergehuse | housing-blower | 493293 |
| 305 | 2057 106 | Schraube | screw | 94744 |
| 332 | 2069 132 | Mutter | nut | 92284 |
| 363 | 2062 057 | Abzieher Schwungrad | flywheel puller | 19069 |
| 455A | 2063 601 | Kappe Schwungrad | cup-flywheel | 224250 |
| 921B | 2069 304 | Motordeckel | cover-blower housing | 281440 |
| 969 | 2066 301 | Schraube | screw | 94696 |
| 1036 | 2069 030 | Aufkleber-Kit / Emission | label-emission | 499341 |

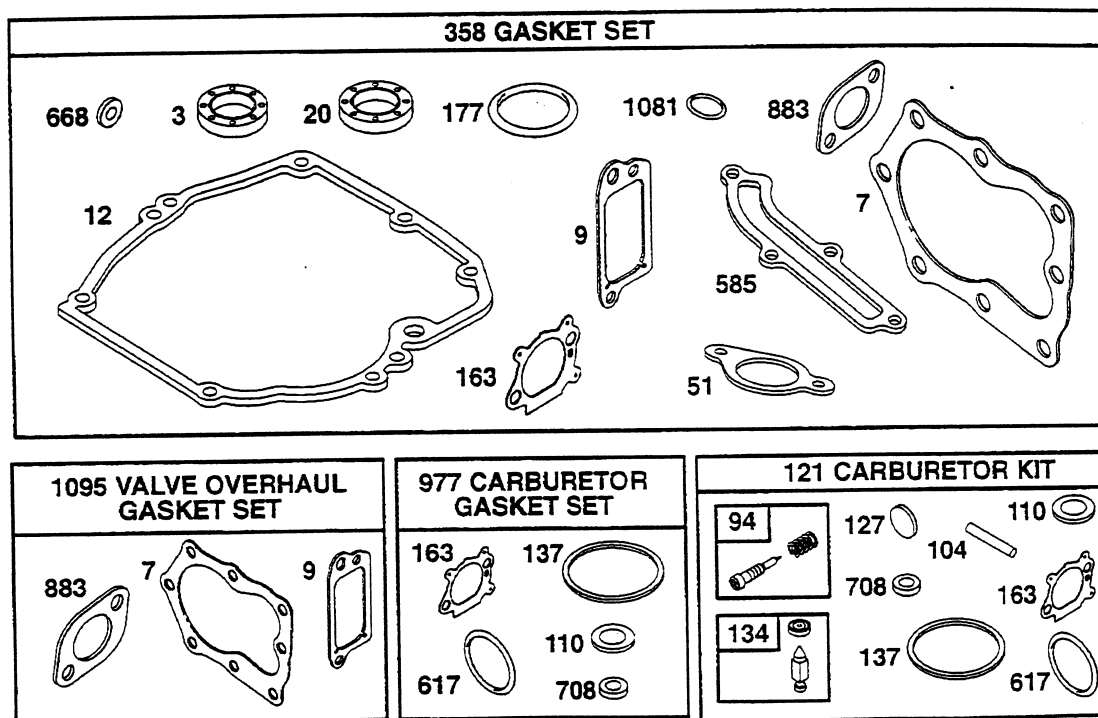
XM 45 Starter kpl.
XM 45 rewind starter compl.



XM 45 Starter kpl.
XM 45 rewind starter compl.

| Bild-Nr. / Ref. No. | Best.-Nr. / Part No. | Bezeichnung | description | Part No. B & S |
|--------------------------------|---------------------------------|--------------------|-----------------------|-------------------------------|
| 55 | 2069 121 | StartergehÄuse | housing-rewind | 497440 |
| 56 | 2069 122 | Seilscheibe | pulley-starter | 281504 |
| 57 | 2069 123 | Spiralfeder | spring-rewind starter | 263074 |
| 58 | 2066 104 | Starterseil | rope-starter | 281464 |
| 60 | 2069 300 | Startergriff | starter-grip | 281434 |
| 65 | 2057 110 | Schraube | screw | 94904 |
| 456 | 2069 301 | Federhalter | plate-pawl friction | 281503 |
| 459 | 2069 302 | Halter | pawl-ratchet | 281505 |
| 592 | 2066 105 | Mutter | nut | 92987 |
| 597 | 2069 124 | Schraube | screw | 94943 |
| 608 | 2069 012 | Starter kpl. | starter-rewind | 497680 |
| 689 | 2069 125 | Sicherung | spring-friction | 263073 |

XM 45 Dichtungssatz
XM 45 gasket set



XM 45 Dichtungssatz
XM 45 gasket set

| Bild-Nr. / Ref. No. | Best.-Nr. / Part No. | Bezeichnung | description | Part No. B & S |
|------------------------|-------------------------|----------------------------|------------------------------------|-------------------|
| 3 | 2057 352 | Simmering (oben) | seal - oil | 299819 |
| 7 | 2069 310 | Zylinderkopfdichtung | gasket - cylinder head | 272916 |
| 9 | 2058 301 | Dichtung (f. Entlüfter) | gasket - breather | 272481 |
| 12 | 2063 107 | Dichtung (f. Ölwanne) | gasket - crankcase | 272198 |
| 20 | 2063 112 | Simmering (unten) | seal - oil | 399781 |
| 51 | 2063 207 | Dichtung (f. Eingang) | gasket - intake | 272199 |
| 94 | 2058 403 | Nadelventil | kit - idle mixture | 493765 |
| 104 | 2057 120 | Stift | pin - float hinge | 231371 |
| 121 | 2069 024 | Vergaserreparatursatz | kit - carburetor | 498260 |
| 134 | 2003 411 | Ventil | kit - needle/seat | 398188 |
| 163 | 2059 220 | Dichtung (f. Luftfilter) | gasket - air cleaner | 272653 |
| 177 | 2063 211 | O-Ring | o-ring | 280393 |
| 358 | 2069 021 | Dichtungssatz Motor kpl. | gasket set - engine compl. | 497316 |
| 585 | 2063 209 | Dichtung (f. Gehäuse) | gasket - breather passage | 272238 |
| 617 | 1034 428 | Dichtung (für Vergaser) | seal - o ring (intake manifold) | 270344 |
| 668 | 2058 055 | Platte | spacer (includes 2) | 493823 |
| 977 | 2069 026 | Dichtungssatz Vergaser | gasket set - carburetor | 498261 |
| 1095 | 2069 027 | Dichtungssatz Ventile | gasket set - valve | 498528 |