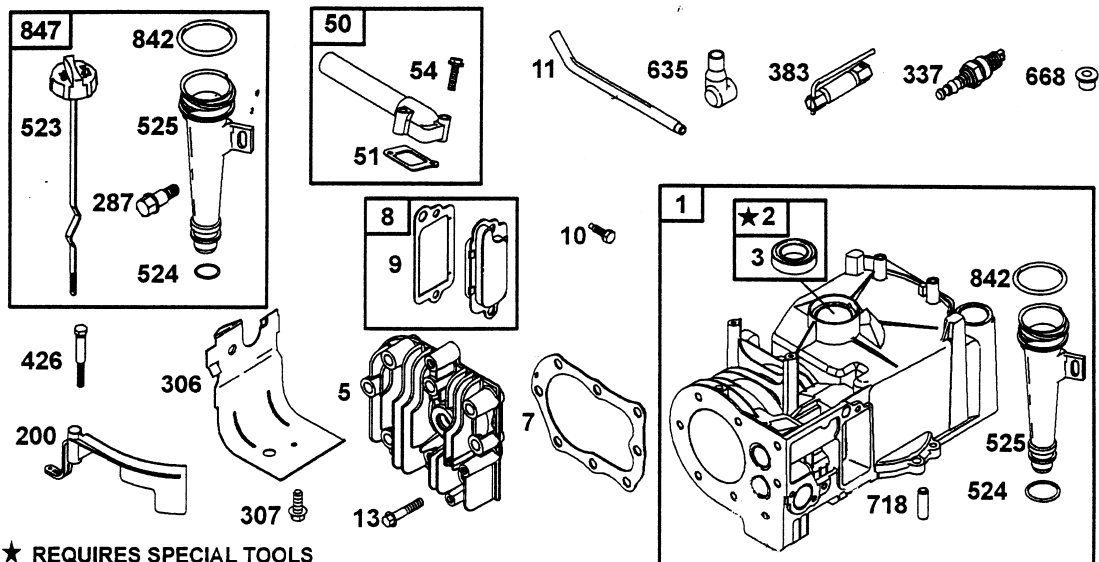


Kurbelgehäuse / cylinder assembly

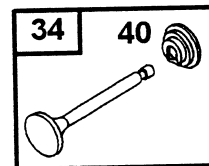
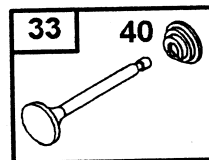
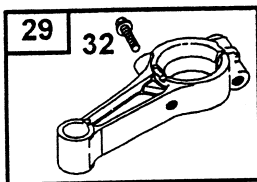
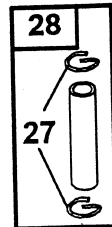
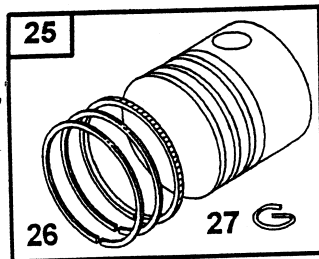


★ REQUIRES SPECIAL TOOLS TO INSTALL. SEE REPAIR INSTRUCTION MANUAL.

Quattro 40 Kurbelgehäuse
Quattro 40 cylinder assembly

| Bild-Nr. / Ref. No. | Best.-Nr. / Part No. | Bezeichnung | description | Part No. B & S |
|--------------------------------|---------------------------------|----------------------|------------------------|-------------------------------|
| 1 | 2007 100 | Zylinder | cylinder assembly | 399164 |
| 2 | 2059 102 | Dichtung | kit-bushing/seal | 399269 |
| 3 | 2057 352 | Dichtring | seal-oil | 299819S |
| 5 | 2056 164 | Zylinderkopf | head-cylinder | 690386 |
| 7 | 2056 159 | Zylinderkopfdichtung | gasket-cylinder head | 692288 |
| 8 | 2056 166 | Entlüfterventil | breather assembly | 495785 |
| 9 | 1034 301 | Dichtung/Entlüfter | gasket-breather | 272602S |
| 10 | 1034 302 | Schraube | screw | 691666 |
| 11 | 2056 167 | Leitung | tube-breather | 691245 |
| 13 | 2062 501 | Schraube | screw | 691640 |
| 50 | 1034 227 | Rohr-Ansau. | manifold-intake | 693446 |
| 51 | 1034 222 | Eingangsdichtung | gasket-intake | 270345S |
| 54 | 2056 168 | Schraube | screw | 691111 |
| 200 | 2056 169 | Windfahne | blade-governor | 691912 |
| 287 | 2006 304 | Schraube | screw | 691002 |
| 306 | 2056 170 | Leitblech | shield-cylinder | 690400 |
| 307 | 2063 120 | Schraube | screw | 690345 |
| 337 | 2085 300 | Zündkerze | plug-spark | 992041 |
| 383 | 2056 171 | Zündkerzenschlüssel | wrench-spak-plug | 89838S |
| 426 | 2056 172 | Schraube | screw | 691107 |
| 523 | 2056 173 | Ölmessstab | dipstick | 692040 |
| 524 | 2007 205 | Ring-O | seal-deapstick tube | 691876 |
| 525 | 2003 203 | Öleinfüllrohr | tube-dipstick | 691320 |
| 635 | 1034 435 | Zündkerzenstecker | boot-spark plug | 66538S |
| 668 | 2056 174 | Hülse | spacer | 692889 |
| 718 | 2057 117 | Paßstift | pin-locating | 690959 |
| 842 | 2056 160 | O-Ring | o-ring seal | 691870 |
| 847 | 2056 176 | Einfüllrohr | dipstick/tube assembly | 691440 |

Kolben, Pleuel, Ventile / piston group, connecting rod, valve group

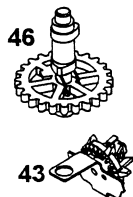
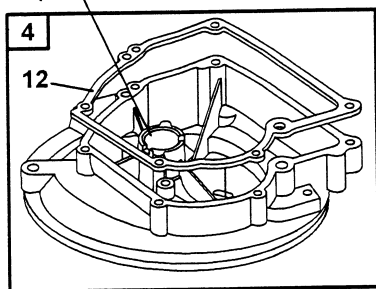


Quattro 40 Kolben, Pleuel, Ventile
Quattro 40 piston, connecting rod, valve

| Bild-Nr. Ref. No. | Best.-Nr. Part No. | Bezeichnung | description | Part No. B & S |
|----------------------|-----------------------|----------------|------------------------|-------------------|
| 25 | 2056 161 | Kolben | piston assembly | 498668 |
| 26 | 2056 057 | Kolbenringsatz | ring set | 498680 |
| 27 | 1034 113 | Sicherung | lock-piston pin | 26026 |
| 28 | 2056 162 | Kolbenbolzen | pin-piston (.005"O.s.) | 298908 |
| 28 | 1034 114 | Bolzen-Kol. | pin-piston (standard) | 298909 |
| 29 | 2056 163 | Pleuel | rod-connecting | 496792S |
| 32 | 2059 115 | Schraube | screw | 691664 |
| 33 | 1034 213 | Ventil-Auslaß | valve-exhaust | 296676 |
| 34 | 1034 214 | Ventil-Einlaß | valve-intake | 296677 |
| 35 | 1034 215 | Feder-Ventil | spring-valve (intake) | 690520 |
| 36 | 1034 215 | Feder-Ventil | spring-valve (exhaust) | 690520 |
| 40 | 1034 217 | Ventiltell. | retainer-valve | 692194 |
| 45 | 1034 218 | Ventilstoe. | tappet-valve | 230173 |

Kurbelwelle, Ölwanne / crankshaft, sump bases

20 ★19



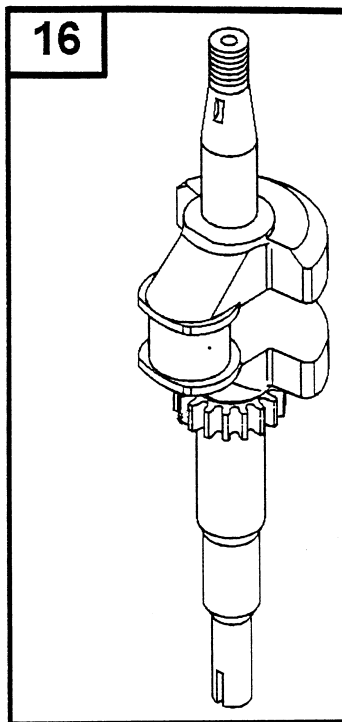
24

15 22

★ REQUIRES SPECIAL TOOLS TO INSTALL. SEE REPAIR INSTRUCTION MANUAL.

377

16

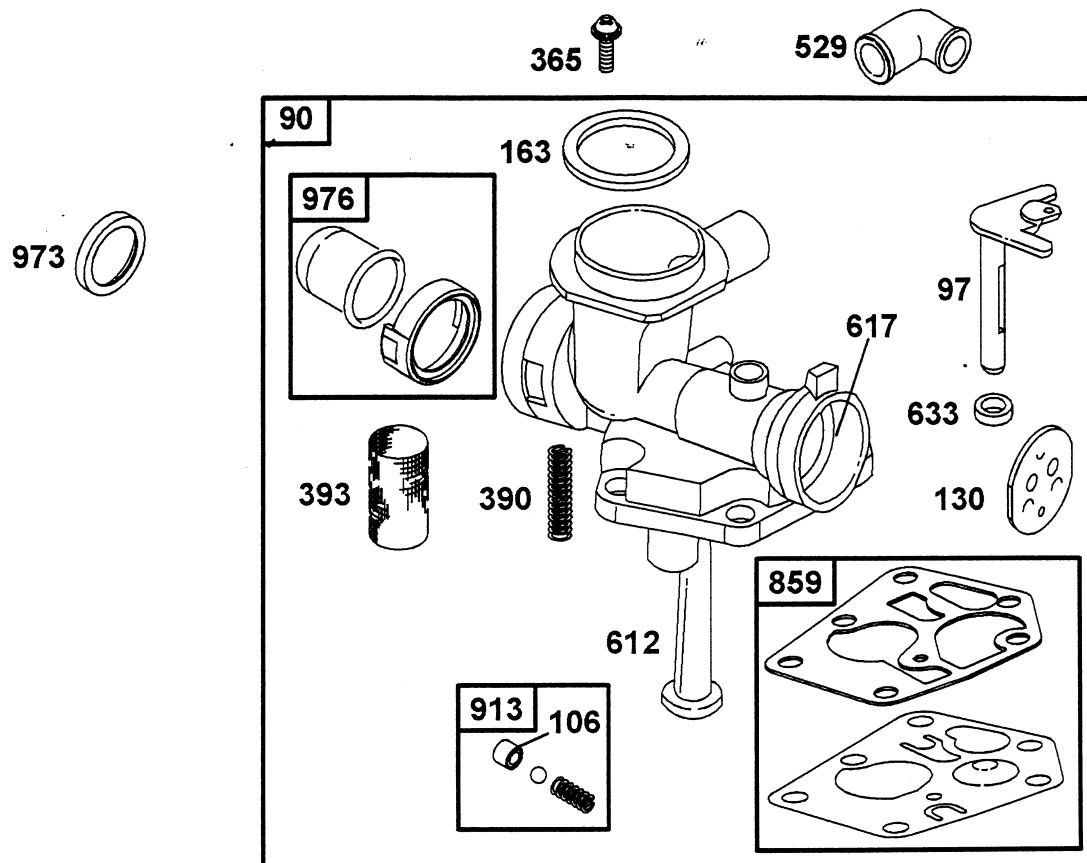


NR:2056 060 Bezeichnung: Quattro 40 S Gruppe: Briggs & Stratton Quattro 40 S Jahr: 02 Typ:

Quattro 40 Kurbelwelle, Ölwanne
Quattro 40 crankshaft, sump bases

| Bild-Nr./ Ref. No. | Best-Nr./ Part No. | Bezeichnung | description | Part No. B & S |
|-------------------------------|-------------------------------|--------------------|----------------------|-------------------------------|
| 4 | 2056 133 | Ölwanne | sump-engine | 395384 |
| 12 | 1007 201 | Dichtung | gasket-crankcase | 692218 |
| 15 | 2058 204 | Ölablaßschraube | plug-oil drain | 691680 |
| 16 | 2056 137 | Kurbelwelle | crankshaft | 496838 |
| 19 | 1034 205 | Buchse | kit bushing/seal | 293709 |
| 20 | 2056 304 | Wellendichtring | seal-oil | 391483S |
| 22 | 2056 134 | Schraube | screw | 691662 |
| 24 | 2057 130 | Schwungradkeil | key-flywheel | 222698S |
| 43 | 2056 135 | Regler | slinger-governor/oil | 691983 |
| 46 | 2056 136 | Nockenwelle | camshaft | 691998 |
| 377 | 0029 055 | Feder-Scheibe | key | 692193 |

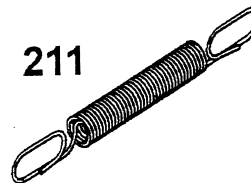
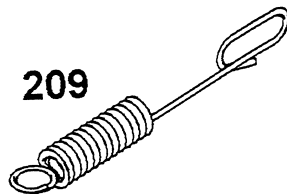
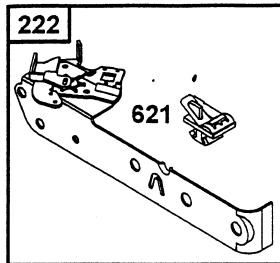
Vergaser / Carburetor



Quattro 40 Vergaser
Quattro 40 carburetor

| Bild-Nr. / Ref. No. | Best.-Nr. / Part No. | Bezeichnung | description | Part No. B & S |
|--------------------------------|---------------------------------|--------------------------|--------------------|-------------------------------|
| 90 | 2056 056 | Vergaser | carburetor | 498811 |
| 97 | 2056 145 | Welle | shaft-trottle | 691931 |
| 106 | 2056 146 | Dichtung | inlet seat | 691901 |
| 130 | 2056 147 | Drosselklappe | valve-throttle | 691190 |
| 163 | 2056 148 | Dichtung (f. Luftfilter) | gasket-air cleaner | 271139S |
| 365 | 2056 149 | Schraube | screw | 692200 |
| 390 | 2056 150 | Feder | spring-diaphragm | 691839 |
| 393 | 2056 151 | Sieb | screen-carburetor | 691837 |
| 529 | 2056 152 | Kniestück | grommet | 692189 |
| 612 | 2056 154 | Rohr | tube-pickup | 496046S |
| 617 | 2056 155 | Dichtung | seal o-ring | 270344S |
| 859 | 2056 417 | Membrane mit Dichtung | membrane w. seal | 495770 |
| 913 | 2056 156 | Ventilsitz | seat-check valve | 494409 |
| 973 | 2056 157 | Ring | ring-trim | 691347 |
| 976 | 2056 158 | Primer | primer-carburetor | 494408 |

Regelung / controls electrical

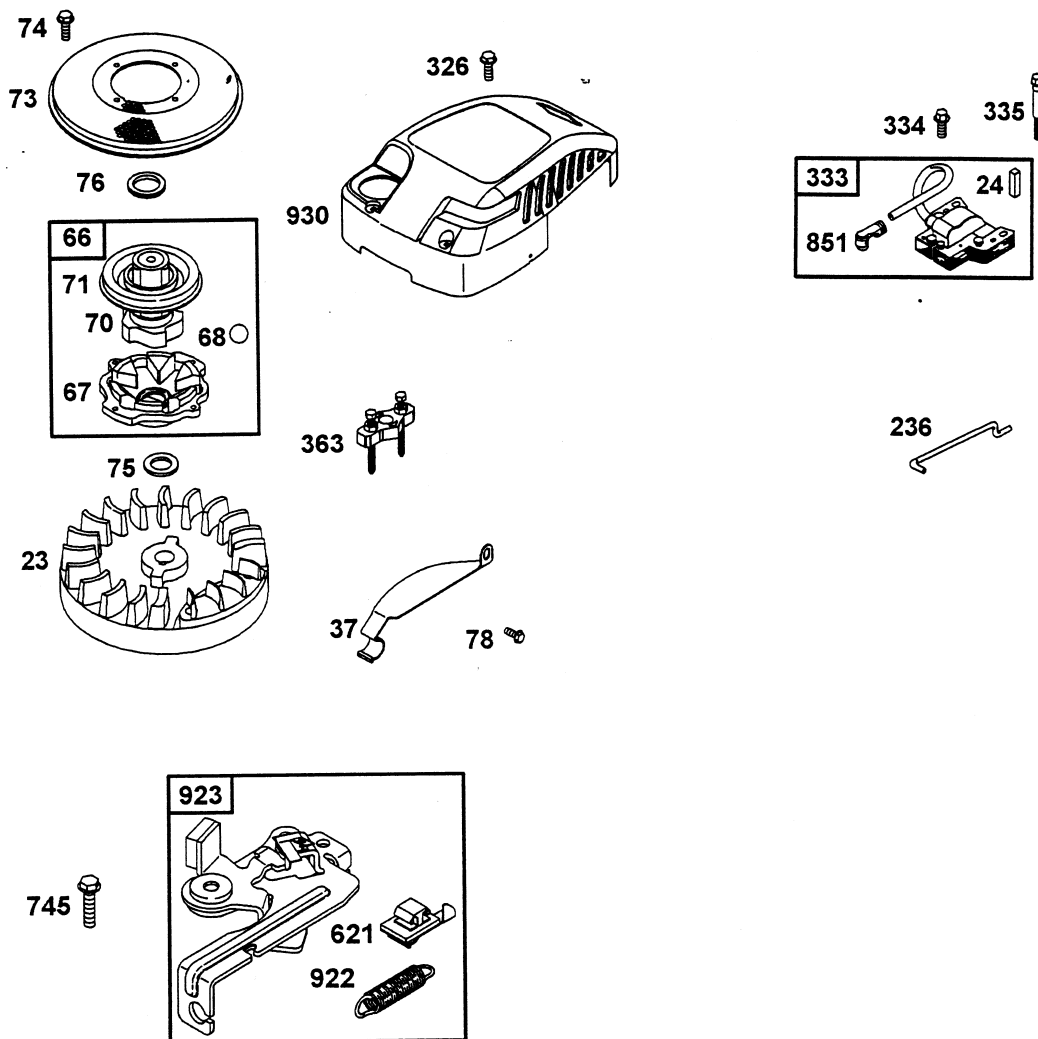


Quattro 40 Regelung
Quattro 40 controls electrical

| Bild-Nr. / Ref. No. | Best.-Nr. / Part No. | Bezeichnung | description | Part No. B & S |
|--------------------------------|---------------------------------|--------------------------|--------------------|-------------------------------|
| 188 | 2063 314 | 6-kt. Schraube | hexagon screw | 690297 |
| 201 | 2056 131 | Gestänge | link-governor | 690347 |
| 209 | 2056 138 | Reglerfeder | spring governor | 690254 |
| 211 | 2056 139 | Reglerfeder | spring governor | 691859 |
| 222 | 2056 132 | Reglerplatte | bracket-control | 691445 |
| 265 | 2063 312 | Schelle | clamp-casing | 690798 |
| 267 | 2063 313 | Schraube | screw | 691044 |
| 356 | 2057 183 | Kabel | wire-stop | 692390 |
| 621 | 2063 131 | Kurzschluss- Schalter | switch-stop | 692310 |

NR:2056 060 Bezeichnung: Quattro 40 S Gruppe: Briggs & Stratton Quattro 40 S Jahr: 02 Typ:

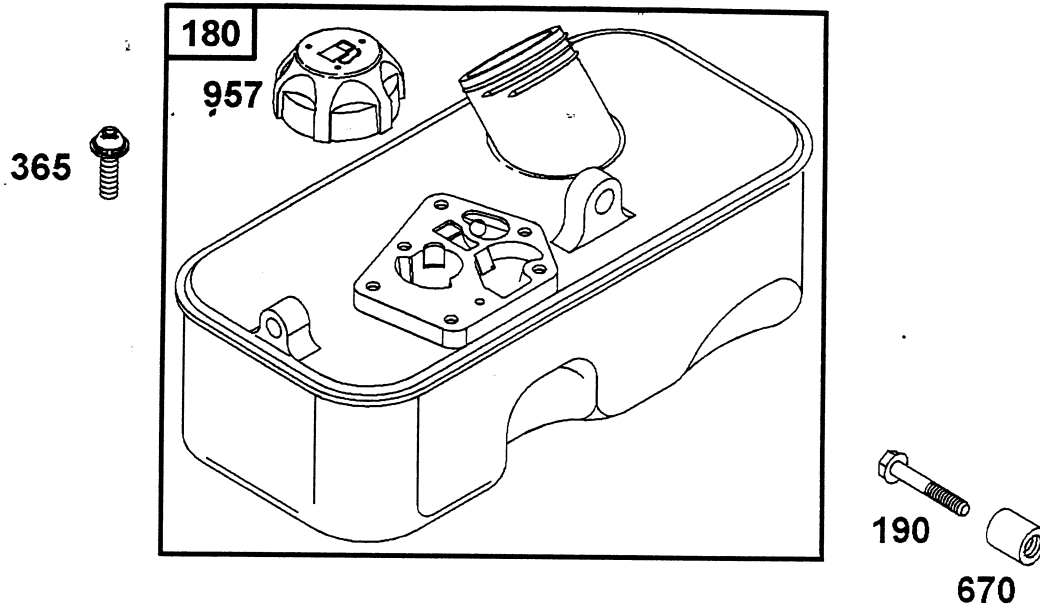
**Polrad, Abdeckung, Zündspule, Bremse /
flywheel, covers, electrical, brake**



Quattro 40 Polrad, Abdeckung, Zündspule, Bremse
Quattro 40 flywheel, covers, electrical, brake

| Bild-Nr. / Ref. No. | Best.-Nr. / Part No. | Bezeichnung | description | Part No. B & S |
|------------------------|-------------------------|---------------------------------|-------------------------------------|-------------------|
| 23 | 2056 184 | Schwungrad S | flywheel | 690843 |
| 24 | 2057 130 | Schwungradkeil | key-flywheel | 222698S |
| 37 | 2056 178 | Schutzblech (Vergaser-Seite) | guard-flywheel (carburetor side) | 690482 |
| 66 | 2060 601 | Starterkupplung | clutch-starter | 399671 |
| 67 | 2007 602 | Gehäuse | housing-clutch | 394897 |
| 68 | 1034 609 | Kugel | ball-clutch | 691604 |
| 70 | 2056 179 | Ratsche | ratchet-clutch | 691945 |
| 71 | 2060 602 | Abdeckung | cover-ratchet | 691359 |
| 73 | 1034 613 | Sieb | screen-rotating | 691725 |
| 74 | 2057 102 | Schraube | screw (rotating screen) | 691627 |
| 75 | 2056 180 | Scheibe | washer (flywheel) | 223047 |
| 76 | 1034 616 | Scheibe | seal-ratchet | 68238 |
| 78 | 2063 314 | Schraube | screw (flywheel guard) | 690297 |
| 236 | 2059 312 | Gestänge | link-lockout | 691826 |
| 326 | 2056 181 | Schraube | screw (rewind guard) | 694046 |
| 333 | 2003 051 | Zündspule | armature-magneto | 496914 |
| 334 | 1034 309 | Schraube | screw (magneto armature) | 691061 |
| 363 | 2062 057 | Abzieher | puller-flywheel | 19069 |
| 621 | 2063 131 | Abstellschalter | switch-stop | 692310 |
| 745 | 2056 140 | Schraube | screw | 691146 |
| 851 | 2057 179 | Kabelklemme | terminal-spark plug | 493880S |
| 922 | 2056 141 | Feder | spring-brake | 692135 |
| 930 | 2056 182 | Starterschutz | guard rewind | 694045 |
| 923 | 2056 142 | Bremse | brake | 691487 |

Kraftstoffbehälter / fuel tank



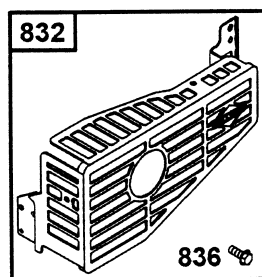
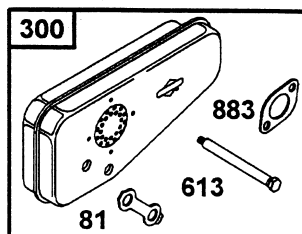
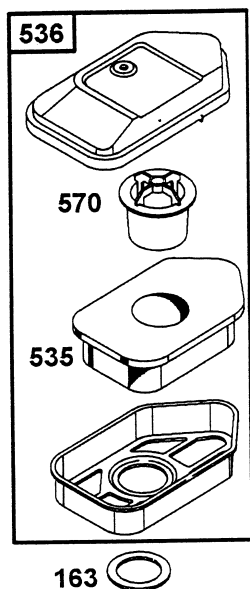
NR:2056 060 Bezeichnung: Quattro 40 S Gruppe: Briggs & Stratton Quattro 40 S Jahr: 02 Typ:

Quattro 40 Kraftstoffbehälter
Quattro 40 fuel tank

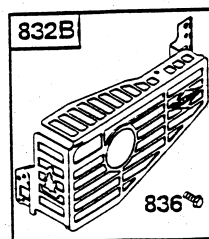
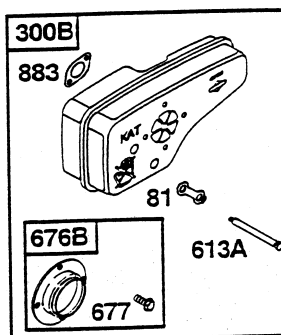
| Bild-Nr. / Ref. No. | Best.-Nr. / Part No. | Bezeichnung | description | Part No. B & S |
|--------------------------------|---------------------------------|--------------------|--------------------|-------------------------------|
| 180 | 2056 055 | Tank | tank-fuel | 494406 |
| 190 | 2062 501 | Schraube | screw | 691697 |
| 365 | 2056 143 | Schraube | screw | 94924 |
| 670 | 2067 501 | Hülse | spacer-fuel tank | 94047 |
| 957 | 2056 144 | Tankdeckel | cap-fuel tank | 497929S |

NR:2056 060 Bezeichnung: Quattro 40 S Gruppe: Briggs & Stratton Quattro 40 S Jahr: 02 Typ:

Luftfilter, Schalldämpfer / air cleaner, muffler



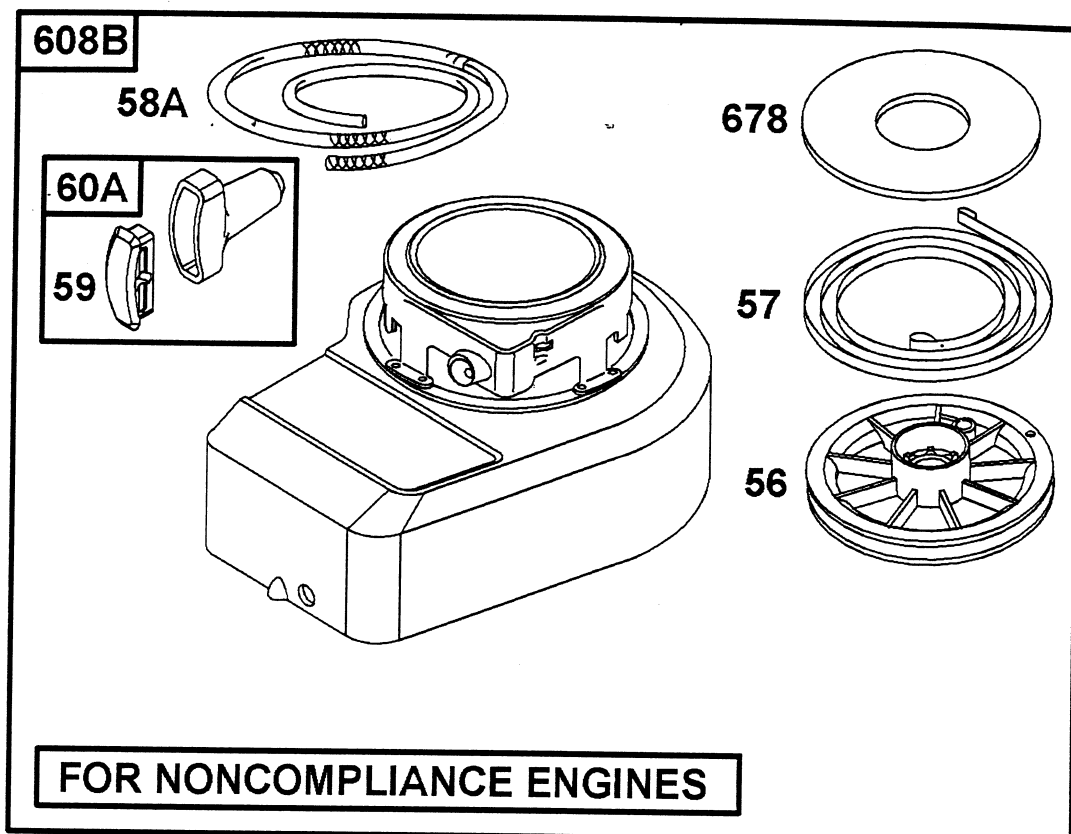
Nur für Motor (Art.-Nr. 2056 050) m. Katalysator:
only for motor (Part No. 2056 050) with catalyst:



Quattro 40 Luftfilter, Schalldämpfer
Quattro 40 air cleaner, muffler

| Bild-Nr. / Ref. No. | Best.-Nr. / Part No. | Bezeichnung | description | Part No. B & S |
|--------------------------------|---------------------------------|--------------------|-------------------------|-------------------------------|
| 81 | 2056 119 | Sicherung | lock muffler screw | 691179 |
| 163 | 1007 503 | Dichtung | gasket-air cleaner | 271139S |
| 300 | 2056 309 | Schalldämpfer | Muffler | 394644 |
| 300B | 2056 307 | Schalldämpfer | Muffler | 499493 |
| 534 | 2002 408 | Schraube | screw (air-cleaner) | 691417 |
| 535 | 2056 305 | Luftfilter | filter-air cleaner foam | 272235S |
| 536 | 2056 301 | Luftfilter | cleaner-air | 493492 |
| 570 | 2056 306 | Lagerdeckel | support-foam element | 691911 |
| 613 | 2007 206 | Schraube | screw | 93935 |
| 613A | 2069 140 | Schraube | screw | 691114 |
| 676B | 2069 170 | Deflektor | deflector | 497682 |
| 677 | 2057 109 | Schraube | screw | 94896 |
| 832 | 2056 118 | Berührungsschutz | guard | 494896 |
| 832B | 2056 183 | Berührungsschutz | guard | 499494 |
| 836 | 2057 108 | Schraube | screw | 94874 |
| 883 | 2056 310 | Dichtung | gasket | 272252 |

Starter / blower housing

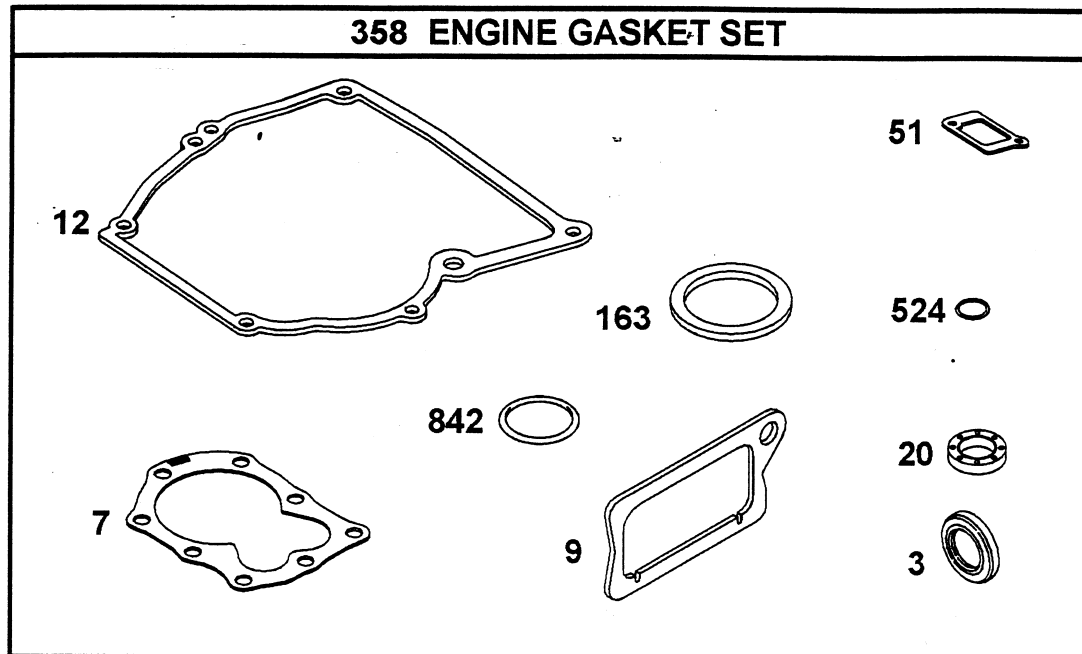


NR:2056 060 Bezeichnung: Quattro 40 S Gruppe: Briggs & Stratton Quattro 40 S Jahr: 02 Typ:

Quattro 40 Starter
Quattro 40 blower housing

| Bild-Nr. / Ref. No. | Best.-Nr. / Part. No. | Bezeichnung | description | Part No. B & S |
|--------------------------------|----------------------------------|--------------------|-----------------------|-------------------------------|
| 56 | 2056 128 | Seilscheibe | pulley-starter | 281336S |
| 57 | 2060 603 | Feder Start | spring-rewind starter | 490179 |
| 58 A | 2063 604 | Starterseil | rope-starter | 280399S |
| 59 | 2069 307 | Griffeinsatz | insert-grip | 396892 |
| 60A | 2007 600 | Griff kompl. | grip-starter rope | 393152 |
| 608B | 2056 129 | Starter | starter-rewind | 499926 |
| 678 | 2056 130 | Hülse | spacer-rewind | 691924 |

Dichtungssatz / gasket set



Quattro 40 Dichtungssatz
Quattro 40 gasket set

| Bild-Nr. / Ref. No. | Best.-Nr. / Part. No. | Bezeichnung | description | Part No. B & S |
|--------------------------------|----------------------------------|--------------------------|----------------------|-------------------------------|
| 3 | 2057 352 | Simmering (oben) | seal-oil | 299819S |
| 7 | 2056 159 | Zylinderkopfdichtung | gasket-cylinder head | 692288 |
| 9 | 1034 301 | Dichtung (f. Entlüfter) | gasket breather | 272602S |
| 12 | 1007 201 | Dichtung (f. Ölwanne) | gasket-crankcase | 692218 |
| 20 | 1007 203 | Dichtung (unten) | seal-oil | 391483S |
| 51 | 1034 222 | Dichtung (f. Eingang) | gasket-intake | 270345S |
| 163 | 1007 503 | Dichtung (f. Luftfilter) | gasket-air cleaner | 271139S |
| 358 | 1034 050 | Dichtungssatz Motor kpl. | gasket set-engine | 298989 |
| 524 | 2007 205 | O-Ring (f. Ölrohr) | seal-dipstick tube | 691876 |
| 842 | 2056 160 | O-Ring | o-ring seal | 691870 |