

NR:2031 005 Bezeichnung: Prisma 156 Gruppe: Motor Jahr: 01 Typ:

MOTOR TECUMSEH Prisma 156

Wolf Art.Nr. 2031 055 Model Prisma 156 Type E- 37421 H

4760 880 2.42 T

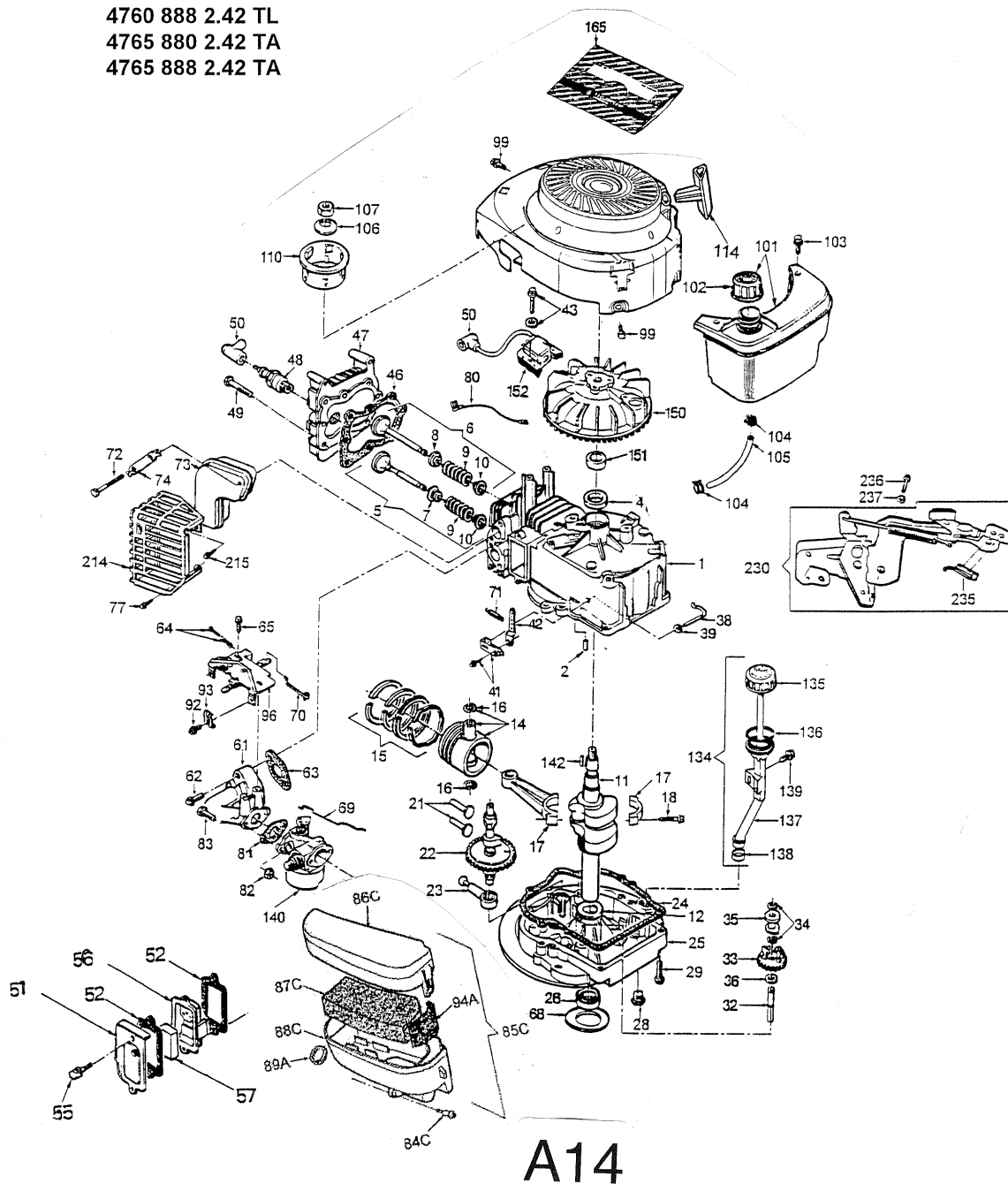
4763 000 4.42 T

4760 886 2.42 TL

4760 888 2.42 TL

4765 880 2.42 TA

4765 888 2.42 TA



**Prisma 156**

| Bild-Nr. | Best.-Nr. | Bezeichnung                                  | Best.-Nr.<br>Tecumseh |
|----------|-----------|--|-----------------------|
| 1        | 2031 053  | Zylinder (inkl.-2,4)                         | 16010 060             |
| 2        | 2031 106  | Passtift (2 Stück)                           | 29410 001             |
| 4        | 1005 202  | Simmering                                    | 29610 017             |
| 5        | 1032 203  | Einlassventil (inkl.-9,10)(Std)              | 16130 001             |
| 6        | 2024 059  | Auslassventil (inkl.-9,10)(Std)              | 16140 009             |
| 7        | 2031 215  | Ventilschaftdichtung                         | 19610 001             |
| 9        | 1038 205  | Ventilfeder (2 Stck.)                        | 27910 003             |
| 10       | 1005 209  | Ventilfederhalter (2 Stck.)                  | 22470 006             |
| 11       | 2085 200  | Kurbelwelle                                  | 16070 105             |
| 12       | 2025 208  | Druckscheibe                                 | 29520 006             |
| 14       | 1039 100  | Kolben & Bolzen (inkl.-16)(Std 63.50mm Bore) | 16090 007             |
| 15       | 1039 103  | Ringsatz (Std 63.50 mm Bore)                 | 16100 009             |
| 16       | 1032 103  | Kolbenbolzensicherung (2 Stck.)              | 29450 004             |
| 17       | 2028 202  | Pleuelstange (inkl.-18)                      | 16110 010             |
| 18       | 2036 201  | Schraube (2 Stck.)                           | 29190 164             |
| 21       | 1032 220  | Ventilstößel (2 Stck.)                       | 22440 001             |
| 22       | 2037 100  | Nockenwelle                                  | 22410 073             |
| 23       | 2026 206  | Ölpumpe komplett                             | 16160 004             |
| 24       | 1032 223  | Flansch Dichtung                             | 29630 001             |
| 25       | 2027 201  | Flansch (inkl.-26,28,32)                     | 16030 013             |
| 26       | 1005 217  | Simmering                                    | 29610 018             |
| 28       | 2030 209  | Ölablassschraube                             | 29320 035             |
| 29       | 1038 209  | Schraube (6 Stck.)                           | 29190 075             |
| 32       | 1032 225  | Reglerschaft                                 | 22720 001             |
| 33       | 1032 230  | Reglerzahnrad                                | 16170 001             |
| 34       | 1032 231  | Sicherungsring (2 Stck.)                     | 29450 005             |
| 35       | 1032 232  | Reglerspule                                  | 22740 001             |
| 36       | 2026 205  | Scheibe                                      | 29510 015             |
| 38       | 2026 208  | Welle-Regl.                                  | 22750 009             |
| 39       | 1032 236  | Scheibe                                      | 29510 029             |
| 41       | 2031 117  | Reglerklemme                                 | 16500 009             |
| 42       | 2027 206  | Reglerhebel                                  | 27240 108             |
| 43       | 2027 305  | Schraube ( 2 Stck.)                          | 29190 168             |
| 46       | 1032 112  | Zylinderkopfdichtung                         | 29620 015             |
| 47       | 2027 100  | Zylinderkopf                                 | 21210 019             |
| 48       | 2037 101  | Zündkerze                                    | 29010 015             |

A15

**Prisma 156**

| Bild-Nr. | Best.-Nr. | Bezeichnung                                    | Best.-Nr.<br>Tecumseh |
|----------|-----------|--|-----------------------|
| 49       | 2030 203  | Schraube (8 Stk.)                              | 29180 063             |
| 50       | 2085 301  | Zündkerzenstecker                              | 15950 001             |
| 51       | 2087 301  | Ventilgehäusedeckel                            | 21660 012             |
| 52       | 1032 306  | Deckeldichtung                                 | 29630 004             |
| 55       | 2031 201  | Schraube (2 Stck.)                             | 29190 169             |
| 56       | 2031 531  | Entlüfter kpl. (inkl.-57,58,59,60)             | 16190 003             |
| 57       | 2085 308  | Einsatz  | 27140 005             |
| 58       | 2085 309  | Dichtung                                       | 29630 111             |
| 59       | 2026 405  | Schraube (2 Stck.)                             | 29190 186             |
| 60       | 2031 532  | Entlüfterschlauch                              | 21670 012             |
| 61       | 2037 102  | Ansaugkrümmer                                  | 28510 042             |
| 62       | 1032 482  | Schraube (2Stck.)                              | 29190 171             |
| 63       | 1032 221  | Dichtung                                       | 29630 101             |
| 64       | 2037 103  | Einstellschraubensatz                          | 16630 023             |
| 65       | 2026 405  | Schraube (2 Stck.)                             | 29190 186             |
| 69       | 2085 214  | Drosselgestänge                                | 27250 040             |
| 70       | 2085 215  | Reglergestänge                                 | 27250 039             |
| 71       | 2031 120  | Reglerfeder                                    | 27920 161             |
| 72       | 2030 200  | Schraube (2 Stck.)                             | 29190 152             |
| 73       | 2037 063  | Auspuff  | 21520 150             |
| 74       | 2025 209  | Sicherungsblech                                | 27530 005             |
| 77       | 2026 405  | Schraube                                       | 29190 186             |
| 80       | 2031 417  | Kurzschlusskabel                               | 14940 012             |
| 81       | 1037 400  | Dichtung                                       | 29630 013             |
| 82       | 2085 403  | Mutter (2 Stck.)                               | 29210 013             |
| 83       | 2031 202  | Schraube (2 Stck.)                             | 29190 219             |
| 84C      | 2037 104  | Schraube (2 Stck.)                             | 29190 324             |
| 85C      | 2031 054  | Luftfilter kpl.<br>(inkl.-86C,87C,88C,89A,94A) | 16290 028             |
| 86C      | 2037 300  | Filterdeckel                                   | 23430 092             |
| 87C      | 2037 301  | Filtereinsatz                                  | 23410 064             |
| 88C      | 2037 302  | Filtergehäuse                                  | 23420 071             |

A16

**Prisma 156**

| Bild-Nr. | Best.-Nr. | Bezeichnung                                       | Best.-Nr.<br>Tecumseh |
|----------|-----------|---|-----------------------|
| 89A      | 2037 303  | Filtergehäuse Dichtung                            | 29630 117             |
| 94A      | 2037 105  | Entlüfter Einsatz                                 | 23410 065             |
| 96       | 2031 402  | Bedienungselement (inkl.-64)                      | 17410 086             |
| 98       | 2031 129  | Lüftergehäuse & Starter (inkl.-114)               | 14300 054             |
| 99       | 1032 315  | Schraube (4 Stck.)                                | 29190 038             |
| 101      | 2031 057  | Benzintank (inkl.-102)                            | 16210 031             |
| 102      | 2085 500  | Tankdeckel  | 13350 003             |
| 103      | 2026 215  | Schraube (2 Stck.)                                | 29190 090             |
| 104      | 2030 501  | Halter für Benzinschlauch (2 Stck.)               | 29490 031             |
| 105      | 2026 500  | Benzinschlauch                                    | 16270 001             |
| 106      | 2026 606  | Unterlagscheibe                                   | 29510 050             |
| 107      | 2026 607  | Mutter  | 29210 020             |
| 110      | 2085 613  | Starter Schale                                    | 24220 015             |
| 114      | 2030 601  | Startergriff                                      | 24230 004             |
| 134      | 2031 075  | Öleinfüllrohr kpl.<br>(inkl.-135,136,137,138,139) | 16480 015             |
| 135      | 2031 255  | Ölmesstab   | 29320 049             |
| 136      | 2031 452  | Dichtung Ölmesstab                                | 29630 094             |
| 137      | 2031 250  | Öleinfüllrohr                                     | 29140 024             |
| 138      | 2027 208  | O`Ring  | 29610 032             |
| 139      | 2030 204  | Schraube  | 29190 090             |
| 140      | 2031 063  | Vergaser  | 23099 009             |
| 142      | 2030 201  | Schwungradkeil                                    | 29410 012             |
| 150      | 2029 303  | Schwungrad  | 24110 036             |
| 151      | 2085 304  | Distanzstück                                      | 29490 055             |
| 152      | 2030 055  | Zündspule (inkl.-50)                              | 14160 072             |
| 165      | 2031 058  | Dichtungssatz                                     | 16610 031             |
| 192      | 2085 404  | Schraube  | 29190 174             |
| 193      | 1038 402  | Klammer   | 29490 004             |
| 214      | 2031 107  | Berührungsschutz                                  | 24330 159             |
| 215      | 2031 207  | Selbstschneidende Schraube (3 Stck.)              | 29190 221             |
| 230      | 2031 124  | Bremse kompl. (inkl.-235)                         | 14500 009             |
| 235      | 2031 125  | Kurzschlußkontakt kpl.                            | 19080 003             |
| 236      | 2037 108  | Schraube (2 Stck.)                                | 29190 310             |

english: see next page

A17

**Prisma 156**

| Ref. No. | Part No. | description                                      | Part No.<br>Tecumseh |
|----------|----------|--|----------------------|
| 1        | 2031 053 | Cylinder-Assy. (incl.-2,4)                       | 16010 060            |
| 2        | 2031 106 | Dowel Pin (2 pieces)                             | 29410 001            |
| 4        | 1005 202 | Oil seal   | 29610 017            |
| 5        | 1032 203 | Intake Valve (incl.-9,10)(Std)                   | 16130 001            |
| 6        | 2024 059 | Exhaust Valve (incl.-9,10)(Std)                  | 16140 009            |
| 7        | 2031 215 | Intake Valve Seal                                | 19610 001            |
| 9        | 1038 205 | Valve Spring ( 2 pieces)                         | 27910 003            |
| 10       | 1005 209 | Lower Valve Spring Keeper (2 p.)                 | 22470 006            |
| 11       | 2085 200 | Crankshaft                                       | 16070 105            |
| 12       | 2025 208 | Thrust Washer                                    | 29520 006            |
| 14       | 1039 100 | Piston & Pin Assy. (incl.-16)(Std 63.50 mm Bore) | 16090 007            |
| 15       | 1039 103 | Ring Set (Std 63.50 mm Bore)                     | 16100 009            |
| 16       | 1032 103 | Piston Pin Retainer (2 pieces)                   | 29450 004            |
| 17       | 2028 202 | Ens.Pielle (incl.-18)                            | 16110 010            |
| 18       | 2036 201 | Screw (2 pieces)                                 | 29190 164            |
| 21       | 1032 220 | Valve Lifter (2 pieces)                          | 22440 001            |
| 22       | 2037 100 | Camshaft (RCR)                                   | 22410 073            |
| 23       | 2026 206 | Oil Pump Assy                                    | 16160 004            |
| 24       | 1032 223 | Fange Assy. Gasket                               | 29630 001            |
| 25       | 2027 201 | Flange Assy. (incl.-26,28,32)                    | 16030 013            |
| 26       | 1005 217 | Oil Seal   | 29610 018            |
| 28       | 2030 209 | Oil Drain Plug                                   | 29320 035            |
| 29       | 1038 209 | Screw ( 2 pieces)                                | 29190 075            |
| 32       | 1032 225 | Govenor Shaft                                    | 22720 001            |
| 33       | 1032 230 | Govenor Gear                                     | 16170 001            |
| 34       | 1032 231 | Govenor Gear Retainer (2 pieces)                 | 29450 005            |
| 35       | 1032 232 | Govenor Spool                                    | 22740 001            |
| 36       | 2026 205 | Washer   | 29510 015            |
| 38       | 2026 208 | Govenor Rod                                      | 22750 009            |
| 39       | 1032 236 | Washer   | 29510 029            |
| 41       | 2031 117 | Govenor Lever Clamp                              | 16500 009            |
| 42       | 2027 206 | Govenor Lever                                    | 27240 108            |
| 43       | 2027 305 | Screw (2 pieces)                                 | 29190 168            |
| 46       | 1032 112 | Cylinder Head Gasket                             | 29620 015            |

A18

**Prisma 156**

| Ref. No. | Part No. | description                                     | Part No.<br>Tecumseh |
|----------|----------|---|----------------------|
| 47       | 2027 100 | Cylinder Head                                   | 21210 019            |
| 48       | 2037 101 | Spark Plug                                      | 29010 015            |
| 49       | 2030 203 | Screw (8 pieces)                                | 29180 063            |
| 50       | 2085 301 | Spark Plug Cover                                | 15950 001            |
| 51       | 2087 301 | Valve Cover                                     | 21660 012            |
| 52       | 1032 306 | Valve Cover Gasket                              | 29630 004            |
| 55       | 2031 201 | Screw (2 pieces)                                | 29190 169            |
| 56       | 2031 531 | Breather Assy. (incl.-57,58,58,60)              | 16190 003            |
| 57       | 2085 308 | Breather Element                                | 27140 005            |
| 58       | 2085 309 | Breather Gasket                                 | 29630 111            |
| 59       | 2026 405 | Screw (2 pieces)                                | 29190 186            |
| 60       | 2031 532 | Breather Tube                                   | 21670 012            |
| 61       | 2037 102 | Intake Pipe                                     | 28510 042            |
| 62       | 1032 482 | Screw (2 pieces)                                | 29190 171            |
| 63       | 1032 221 | Intake Pipe Gasket                              | 29630 101            |
| 64       | 2037 103 | Control Screw Set                               | 16630 023            |
| 65       | 2026 405 | Screw (2 pieces)                                | 29190 186            |
| 69       | 2085 214 | Throttle Link                                   | 27250 040            |
| 70       | 2085 215 | Governor Link                                   | 27250 039            |
| 71       | 2031 120 | Governor Spring                                 | 27920 161            |
| 72       | 2030 200 | Screw (2 pieces)                                | 29190 152            |
| 73       | 2037 063 | Muffler   | 21520 150            |
| 74       | 2025 209 | Lock Plate                                      | 27530 005            |
| 77       | 2026 405 | Screw   | 29190 186            |
| 80       | 2031 417 | Ground Wire                                     | 14940 012            |
| 81       | 1037 400 | Carburettor Gasket                              | 29630 013            |
| 82       | 2085 403 | Nut (2 pieces)                                  | 29210 013            |
| 83       | 2031 202 | Screw (2 pieces)                                | 29190 219            |
| 84C      | 2037 104 | Screw (2 pieces)                                | 29190 324            |
| 85C      | 2031 054 | Air Filter Assy.<br>(incl.-86C,87C,88C,89A,94A) | 16290 028            |
| 86C      | 2037 300 | Air Filter Cover                                | 23430 092            |
| 87C      | 2037 301 | Air Cleaner Filter                              | 23410 064            |
| 88C      | 2037 302 | Air Filter Body                                 | 23420 071            |

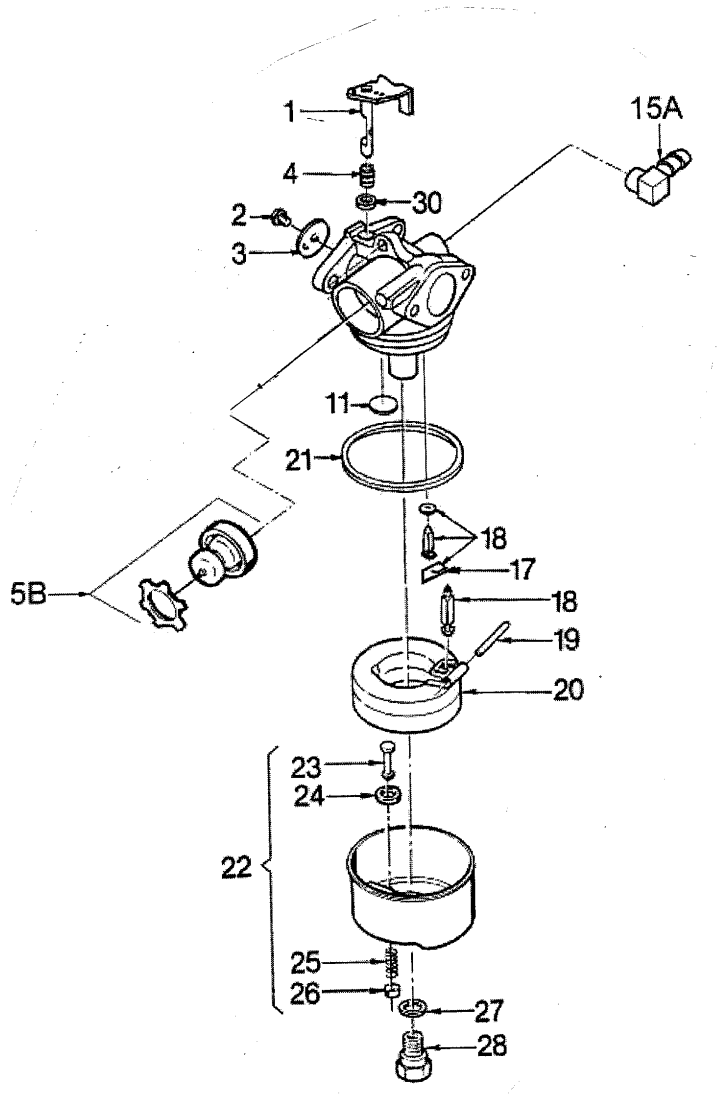
A19

**Prisma 156**

| Ref. No. | Part No. | description                                     | Part No.<br>Tecumseh |
|----------|----------|---|----------------------|
| 89A      | 2037 303 | Filter Base Gasket                              | 29630 117            |
| 94A      | 2037 105 | Breather Element                                | 23410 065            |
| 96       | 2031 402 | Remote Speed Control (incl.-64)                 | 17410 086            |
| 98       | 2031 129 | Blower Housing & Starter (incl.-114)            | 14300 054            |
| 99       | 1032 315 | Screw (4 pieces)                                | 29190 038            |
| 101      | 2031 057 | Fuel Tank (inc.-102)                            | 16210 031            |
| 102      | 2085 500 | Fuel Filler Cap                                 | 13350 003            |
| 103      | 2026 215 | Screw (2 pieces)                                | 29190 090            |
| 104      | 2030 501 | Fuel Line Clamp (2pieces)                       | 29490 031            |
| 105      | 2026 500 | Fuel Line                                       | 16270 001            |
| 106      | 2026 606 | Belleville Washer                               | 29510 050            |
| 107      | 2026 607 | Nut   | 29210 020            |
| 110      | 2085 613 | Starter Cup                                     | 24220 015            |
| 114      | 2030 601 | Starter Handle                                  | 24230 004            |
| 134      | 2031 075 | Oil Filler Assy.<br>(incl.-135,136,137,138,139) | 16480 015            |
| 135      | 2031 255 | Oil Dipstick Gasket                             | 29320 049            |
| 136      | 2031 452 | Oil Dipstick Gasket                             | 29630 094            |
| 137      | 2031 250 | Oil Filler Tube                                 | 29140 024            |
| 138      | 2027 208 | O`Ring  | 29610 032            |
| 139      | 2030 204 | Screw   | 29190 090            |
| 140      | 2031 063 | Carburettor                                     | 23099 009            |
| 142      | 2030 201 | Flywheel Key                                    | 29410 012            |
| 150      | 2029 303 | Flywheel  | 24110 036            |
| 151      | 2085 304 | Flywheel Key Spacer                             | 29490 055            |
| 152      | 2030 055 | Solid State (incl.-50)                          | 14160 072            |
| 165      | 2031 058 | Gasket Set                                      | 16610 031            |
| 192      | 2085 404 | Screw   | 29190 174            |
| 193      | 1038 402 | Conduit Clip                                    | 29490 004            |
| 214      | 2031 107 | Muffler Guard                                   | 24330 159            |
| 215      | 2031 207 | Self-threading Screw (3 pieces)                 | 29190 221            |
| 230      | 2031 124 | Brake assy. (incl.-235)                         | 14500 009            |
| 235      | 2031 125 | Terminal Assy.                                  | 19080 003            |
| 236      | 2037 108 | Screw (2 pieces)                                | 29190 310            |

A20

VERGASER (Primer-System)



A21



**Prisma 156**

| Bild-Nr. | Best.-Nr. | Bezeichnung                                  | Best.-Nr.<br>Tecumseh |
|----------|-----------|--|-----------------------|
| 1        | 2087 450  | Drosselklappenschaft kpl.                    | 13200 045             |
| 2        | 2087 452  | Drosselklappenschraube 4-40                  | 29190 215             |
| 3        | 2037 138  | Drosselklappe                                | 23210 013             |
| 4        | 2034 139  | Rückholfeder                                 | 27920 180             |
| 5B       | 2034 020  | Primer kpl.                                  | 16630 035             |
| 11       | 2087 454  | Blindstopfen                                 | 29640 019             |
| 15A      | 2087 463  | Anschlußstück                                | 27110 022             |
| 17       | 2087 456  | Halter für Schwimbernadel                    | 29490 064             |
| 18       | 2087 455  | Schwimbernadel kpl. (inkl.17)                | 16630 021             |
| 19       | 2087 458  | Schwimmerschaft                              | 27460 030             |
| 20       | 2087 457  | Schwimmer                                    | 23960 019             |
| 21       | 2087 462  | Dichtung                                     | 29630 121             |
| 22       | 2034 307  | Schwimmergehäuse kpl.<br>(inkl.-23,24,25,26) | 13950 014             |
| 23       | 1032 451  | Stift  | 23950 004             |
| 24       | 1032 449  | Dichtung                                     | 29630 075             |
| 25       | 1032 447  | Feder  | 27920 078             |
| 26       | 1032 446  | Halter                                       | 23950 002             |
| 27       | 2034 142  | Dichtung                                     | 29630 152             |
| 28       | 2031 447  | Hauptdüse                                    | 19320 035             |
| 30       | 1038 414  | Dichtring                                    | 24180 005             |
| 32       | 2031 040  | Reparatursatz                                | 16630 048             |

english: see next page

A22

**Prisma 156**

| Ref. No. | Part No. | description                             | Part No.<br>Tecumseh |
|----------|----------|---|----------------------|
| 1        | 2087 450 | Throttle Shaft & Lever Assy.            | 13200 045            |
| 2        | 2087 452 | Throttle Shutter Screw 4-40             | 29190 215            |
| 3        | 2037 138 | Throttle Shutter                        | 23210 013            |
| 4        | 2034 139 | Throttle Return Spring                  | 27920 180            |
| 5B       | 2034 020 | Primer Bulb & Retainer                  | 16630 035            |
| 11       | 2087 454 | Welch Plug                              | 29640 019            |
| 15A      | 2087 463 | Fuel Fitting                            | 27110 022            |
| 17       | 2087 456 | Fuel Needle Clip                        | 29490 064            |
| 18       | 2087 455 | Fuel Needle Assy.(inc.-17)              | 16630 021            |
| 19       | 2087 458 | Float Shaft                             | 27460 030            |
| 20       | 2087 457 | Float                                   | 23960 019            |
| 21       | 2087 462 | Bowl Gasket                             | 29630 121            |
| 22       | 2034 307 | Float Bowl Assy.<br>(inkl.-23,24,25,26) | 13950 014            |
| 23       | 1032 451 | Bowl Drain Stern                        | 23950 004            |
| 24       | 1032 449 | Bowl Drain Gasket                       | 29630 075            |
| 25       | 1032 447 | Bowl Drain Spring                       | 27920 078            |
| 26       | 1032 446 | Bowl Drain Retainer                     | 23950 002            |
| 27       | 2034 142 | Bowl Nut Gasket                         | 29630 152            |
| 28       | 2031 447 | High Speed Bowl Nut                     | 19320 035            |
| 30       | 1038 414 | Dust Seal                               | 24180 005            |
| 31       | 2031 167 | O`Ring (2 Pieces)                       | 29610 069            |
| 32       | 2031 040 | Repair Kit                              | 16630 048            |

A23